

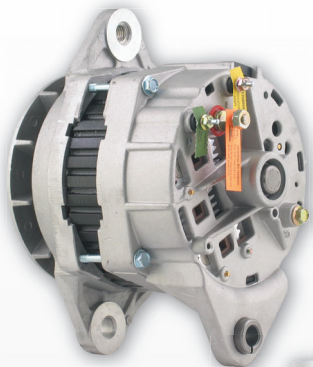


ALTERNATORS

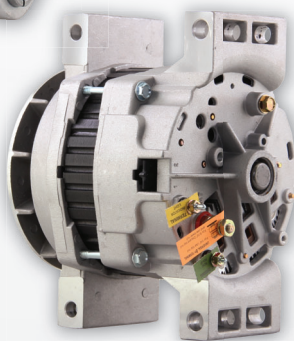
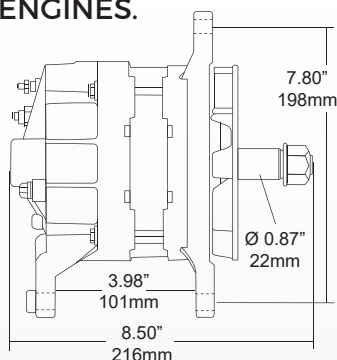
101-22
SERIES

ALTERNATORS **VALIDATED** TO EXCEED 5,000 HOURS OF SERVICE

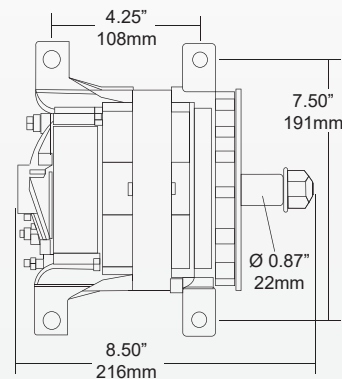
UPGRADED BRUSH TYPE, ONE WIRE CONNECTION, EXTERNAL FAN ALTERNATOR. RE-DESIGNED FOR THE HIGH TEMPERATURE ENVIROMENTS OF TODAY'S NEW EPA EMISSION COMPLIANT ENGINES.



J180 MTG
101-22106 12V-150A
101-22201 24V-70A



PAD MTG
101-22109 12V-150A



New added features:

- 6 new press fit "AVALANCHE" high temperature diodes
- Diode connections are welded, not soldered
- Rear and front (62mm) heavy duty bearings with high temperature grease and seals
- Universal 5/16" & 1/4" B+ terminal connections

Re-designed to:

- Reduce Your Inventory
- Enhance Reliability
- Replace With Confidence

**SOLD AND SUPPORTED
ACROSS NORTH AMERICA**

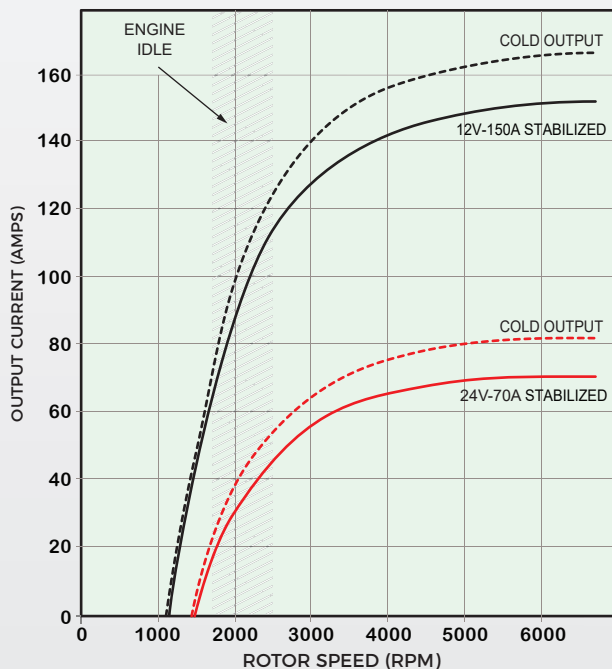


Warranty: (On-road applications)

SPS New: 12 Months - Unlimited Km/Miles

Dixie Reman: 12 Months - Unlimited Km/Miles

AVERAGE OUTPUT RANGE

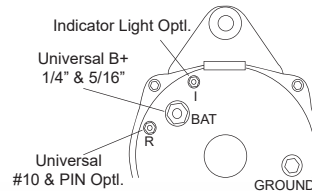
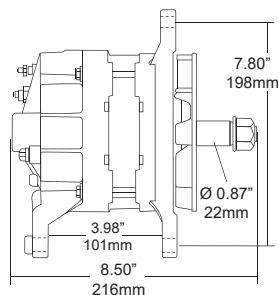
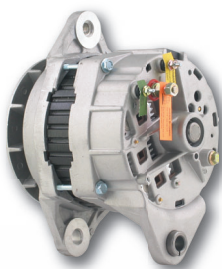




ALTERNATORS

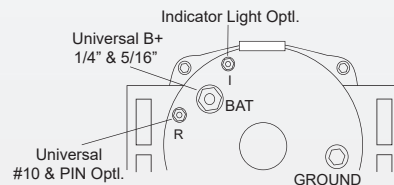
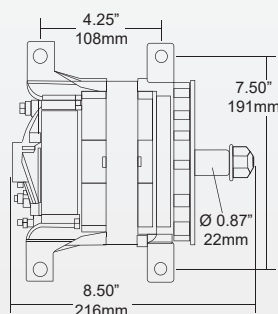
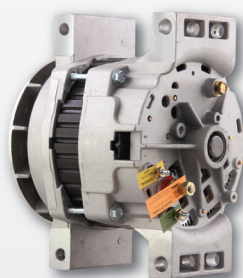
**101-22
SERIES**

J180 MTG



| dixie UPGRADE | COMPETITORS REPLACEMENT CHART | | | | | | | | |
|--|-------------------------------|----------------------------|------|------------|----------------|------------------|-------------------|----------|-------------------|
| | DELCO 21SI, 22SI™ New | DELCO 21SI, 22SI™ Reman | AMPS | B+ Term | DIXIE Reman | Leece Neville | Lester (N=New) | Meritor | Wilson (N=New) |
| 101-22106 <i>Universal B+ 12V-150A</i> | 19010181 | 10459013 | 100 | 1/4" | A-1341 | 110-444 | 7681, N | ALT-1004 | 90-01-4058, N |
| | 19020304 | 10459215 | | | A-1492 | | 8074, N | | 90-01-4296, N |
| | 19010114 | 10459013 | | | A-1353 | | 7662, N | | 90-01-4105, N |
| | 19020300 | 10459188 | | A-1450 | 8071, N | | 90-01-4269, N | | |
| | 19020188 | 10459037 | 130 | 1/4" | A-1358 | 8027, N | 90-01-4093, N | | |
| | 19020305 | 10459204 | | | A-1493 | 8073, N | 90-01-4295, N | | |
| | 19010147 | 10459037 | | 5/16" | A-1342 | 7681, N | 90-01-4074, N | | |
| | 19020302 | 10459189 | | | A-1451 | 8072, N | 90-01-4267, N | | |
| | 19020310 | - | 150 | 1/4" | A-1494 | 8076, N | 90-01-4297, N | | |
| | 19020303 | 10459190 | | 5/16" | A-1452 | 8078, N | 90-01-4270, N | | |
| 101-22201 <i>Universal B+ 24V-70A</i> | 19010182 | 10461235 | 70 | M6 | A-1351 | MDA3929 | 8003, N | ALT-1101 | 90-01-4073, N |
| | 19020307 | 10459306 | | | A-1609 | | 8367, N | | 90-01-4152, N |
| | | | | | | | | | 90-01-4396, N |
| | | | | | | | | | 90-01-4397, N |

PAD MTG



| dixie UPGRADE | COMPETITORS REPLACEMENT CHART | | | | | | | | |
|--|-------------------------------|----------------------------|------|------------|----------------|------------------|-------------------|----------|-------------------|
| | DELCO 21SI, 22SI™ New | DELCO 21SI, 22SI™ Reman | AMPS | B+ Term | DIXIE Reman | Leece Neville | Lester (N=New) | Meritor | Wilson (N=New) |
| 101-22109 <i>Universal B+ 12V-150A</i> | 19020387 | 10459318 | 100 | 5/16" | A-1619 | 110-444P | 8360, N | ALT-1003 | 90-01-4391, N |
| | 19020388 | 10459320 | 130 | | A-1620 | | 8361, N | | 90-01-4392, N |
| | 19020889 | 10459321 | 150 | | A-1621 | 110-555P | 8362, N | | 90-01-4393, N |

For additional cross reference information visit our website e-Cat: www.dixie-electric.com

CANADA & EXPORT SALES

Dixie Electric
517 Basaltic Road
Concord, ON
Canada L4K 4W8
Tel: 905-879-0533 | 800-461-5799
Fax: 905-879-0532
E-Mail: sales@dixie-electric.com
www.dixie-electric.com



U.S.A. SALES

Dixie Electric Inc.
5600 Pioneer Creek Drive, Suite D
Maple Plain, MN 55359
U.S.A.
Tel: 763-475-6629 | 800-478-0608
Fax: 763-475-6635 | 800-392-8719
E-Mail: mn.sales@dixie-electric.com
www.dixie-electric.us