





QMI  
 90 Burnhamthorpe Road West, Suite 300  
 Mississauga, Ontario, Canada L5R 3C3  
 Telephone: (905) 272-3920  
 Facsimile: (905) 272-3942  
 A Division of CSA International

## CERTIFICATE OF REGISTRATION

QMI issues this certificate to:

### DIXIE ELECTRIC LTD.

517 Basaltic Road  
 Concord, Ontario  
 L4K 4W8 Canada

which has demonstrated that its quality system is in compliance with:

### ISO 9002-1994

The following scope of registration applies:

Dixie remanufactures and manufactures alternators and starters and their components for automotive, industrial, farm and marine applications.

Certificate Number: CC0231-003781  
 SIC Numbers: 5013, 3612, 3677  
 Date of Original Registration: September 29, 1998  
 Date of Current Registration: September 29, 1998  
 Date Registration Expires: September 29, 2001



  
 Catherine Neville  
 President

ISO 9000

## ABBREVIATIONS

Ø	Diameter	mm	Millimeters
A	Amps.	Mnt.	Mount
BAT.	Battery	Neg.	Negative
C.E.	Commutator End	No. 's	Numbers
CCW	Counter Clockwise	O.D.	Outside Diameter
CW	Clockwise	O.E.M.	Original Equipment Manufacturer
D	Dummy	Pos.	Positive
Dbl.	Double	R	Return-Terminal
D/D	Direct Drive	S	Switch-Terminal
D.E.	Drive End	T	Teeth
Fig.	Figure	Term.	Terminal
G.R.	Gear Reduction	Tk.	Thick
H.D.	Heavy Duty	V	Volt
I.D.	Inside Diameter	W	Wide
ILL.	Illustration	w/	with
kW	Kilo Watt	Y	Yes
L	Long		
M	Motor		

<b>CROSS REFERENCE</b>	<b>PAGE:</b>	<b>CROSS REFERENCE</b>	<b>SECTION</b>		
BAUDOIN	2	<b>PAGES: 2 TO 5</b>	<b>1</b>		
BOBCAT	2				
BOSCH	2	<b>PRODUCT DATA</b>	<b>SECTION</b>		
CAV	2				
CASE	2				
CATERPILLAR	2				
CLARK	2				
CUMMINS	2				
DELCO REMY	2-4				
DENSO	4				
FORD	4-5				
HYSTER	5				
ISKRA	5	<b>PAGES: 6 TO 7</b>	<b>2</b>		
JOHN DEERE	5				
LEECE-NEVILLE	5	<b>OUTLINE SPECIFICATIONS</b>	<b>SECTION</b>		
LUCAS	5				
MASSEY FERGUSON	5				
MITSUBISHI	5				
RENAULT	5				
THERMO KING	5				
WHITE	5				
<b>PRODUCT DATA ILLUSTRATIONS</b>	6-7			<b>PAGES: 8 TO 15</b>	<b>3</b>
28-101	8				
28-102	8			<b>SERVICE PARTS</b>	<b>SECTION</b>
28-103	9				
28-104	9				
28-105	9				
28-106	10				
28-107	10				
28-108	10				
28-109	11				
28-110	11				
28-111	11				
28-113	12	<b>PAGES: 16 TO 19</b>	<b>4</b>		
28-114	12				
28-115	12	<b>BUYER'S GUIDE</b>	<b>SECTION</b>		
28-116	13				
28-117	13				
28-118	14				
28-119	14				
28-120	14				
<b>SERVICE PARTS</b>	16-19			<b>PAGES: 20 TO 25</b>	<b>5</b>
<b>BUYER'S GUIDE</b>	20-25				
<b>REPLACEMENT GUIDE</b>				<b>REPLACEMENT GUIDE</b>	<b>SECTION</b>
BOSCH	26-27				
CAV	28				
DELCO REMY	28-32				
DENSO	33				
ISKRA	34				
LEECE-NEVILLE	34				
LUCAS	35				
MITSUBISHI	35	<b>PAGES: 26 TO 35</b>	<b>6</b>		

Extreme care was taken to ensure the accuracy of the contents in this catalogue. Dixie Electric Limited assumes no responsibility for any damage or expense caused by or related to the suggested substitutions and or possible errors contained in this catalogue. Permission to reproduce by any means, entirely and/or in part is denied.

# CROSS REFERENCE



Original No's.	Dixie No's.	ILL. No's.	Original No's.	Dixie No's.	ILL. No's.	Original No's.	Dixie No's.	ILL. No's.
<b>BAUDOIN</b>			<b>C A V</b>			<b>CUMMINS</b>		
16010392A	201-28103 *	28-103	CA45F242	201-28210 *	28-114	3675173	201-28117	28-119
<b>BOBCAT</b>			CA45F12Y2	201-28119 *	28-114	3675204	201-28201	28-115
6632415	201-28103 *	28-103	CA45F12Y51	201-28119 *	28-114	33675207	201-28209	28-114
6651210	201-28119 *	28-114	CA45F12Y72	201-28119 *	28-114	3901386	201-28106 *	28-115
6651258	201-28101 *	28-105	CA45G242	201-28210 *	28-114	3904445	201-28106 *	28-115
6651664	201-28101 *	28-105	CA45G1272	201-28119 *	28-114	3909913	201-28106 *	28-115
6660797	201-28119	28-114	1320-023	201-28119 *	28-114	3909914	201-28201 *	28-115
<b>BOSCH</b>			1320-027	201-28119 *	28-114	<b>DELCO REMY</b>		
0-001-354-107	201-28125 *	28-120	1320-510	201-28119 *	28-114	3918377	201-28201	28-115
0-001-358-041	201-28103 *	28-103	1320-513	201-28119 *	28-114	<b>1107514</b> 201-28101 • 28-105		
0-001-359-016	201-28103 *	28-103	1320-720	201-28119 *	28-114	<b>1107539</b> 201-28101 • 28-105		
0-001-359-035	201-28125 *	28-120	1320F027	201-28119 *	28-114	<b>1107540</b> 201-28105 • 28-110		
0-001-359-045	201-28125 *	28-120	1320F720	201-28119 *	28-114	<b>1107557</b> 201-28120 • 28-109		
0-001-359-059	201-28125 *	28-120	1320G720	201-28210 *	28-114	<b>1107567</b> 201-28108 • 28-105		
0-001-359-090	201-28103 *	28-103	1321F022	201-28210 *	28-114	<b>1107577</b> 201-28103 • 28-103		
0-001-359-095	201-28110 *	28-117	1321G022	201-28210 *	28-114	<b>1107580</b> 201-28107 • 28-115		
0-001-362-016	201-28102 *	28-107	<b>CASE</b>			<b>1107581</b> 201-28108 • 28-105		
0-001-362-034	201-28102 *	28-107	116930A1	201-28106 *	28-115	<b>1107582</b> 201-28120 • 28-109		
0-001-362-305	201-28102 *	28-107	596493R92	201-28101 *	28-105	<b>1107587</b> 201-28108 • 28-105		
0-001-362-310	201-28125 *	28-120	4500732R91	201-28101 *	28-105	<b>1107588</b> 201-28104 • 28-110		
0-001-362-312	201-28103 *	28-103	A39341	201-28114 *	28-115	<b>1107589</b> 201-28106 • 28-115		
0-001-362-313	201-28102 *	28-107	R39341	201-28114 *	28-115	<b>1107592</b> 201-28112 • 28-110		
0-001-362-316	201-28103 *	28-103	<b>CATERPILLAR</b>			<b>1107599</b> 201-28103 • 28-103		
0-001-367-003	201-28125 *	28-120	347198	201-28101 *	28-105	<b>1107863</b> 201-28103 • 28-103		
0-001-367-036	201-28125 *	28-120	646218	201-28101 *	28-105	<b>1107866</b> 201-28101 • 28-105		
0-001-367-054	201-28101 *	28-105	<b>CLARK</b>			<b>1107867</b> 201-28125 • 28-120		
0-001-367-063	201-28115 *	28-120	909785	201-28112	28-110	<b>1107871</b> 201-28103 • 28-103		
0-001-367-070	201-28110 *	28-117	910886	201-28101	28-105	<b>1107872</b> 201-28101 • 28-105		
0-001-367-075	201-28103 *	28-103	916566	201-28112	28-110	<b>1108644</b> 201-28105 • 28-110		
0-001-369-001	201-28103 *	28-103	2355695	201-28123 *	28-103	<b>1107866</b> 201-28101 • 28-105		
0-001-369-005	201-28103 *	28-103	2743536	201-28112	28-110	<b>1107867</b> 201-28125 • 28-120		
0-001-369-014	201-28102 *	28-107	<b>CUMMINS</b>			<b>1107871</b> 201-28103 • 28-103		
<b>C A V</b>			3604482	201-28106 *	28-115	<b>1107872</b> 201-28101 • 28-105		
CA45C122	201-28119 *	28-114	3604648	201-28114	28-115	<b>1108648</b> 201-28101 • 28-105		
CA45C1251	201-28119 *	28-114	3604654	201-28114	28-115	<b>1108692</b> 201-28104 • 28-110		
CA45D122	201-28119 *	28-114	3604677	201-28203	28-115	<b>1108696</b> 201-28115 • 28-118		
CA45D1251	201-28119 *	28-114	3675130	201-28125	28-120	<b>1108697</b> 201-28105 • 28-110		
CA45D1272	201-28119 *	28-114	3675172	201-28101	28-105	<b>1108698</b> 201-28106 • 28-115		
						<b>1108700</b> 201-28113 • 28-110		
						<b>1109143</b> 201-28114 • 28-115		
						<b>1109144</b> 201-28106 • 28-115		
						<b>1109149</b> 201-28114 • 28-115		
						<b>1109189</b> 201-28105 • 28-110		
						<b>1109190</b> 201-28114 • 28-115		

\* This unit was designed to replace this specific OEM unit number; it may not be physically suitable for all intended applications. Refer to the respective Illustration for dimensions.

• 28MT Gear Reduction (OE) replacement for direct drive 22-27MT Starter Motors.

Original No's.	Dixie No's.	ILL. No's.	Original No's.	Dixie No's.	ILL. No's.	Original No's.	Dixie No's.	ILL. No's.
<b>DELCO REMY</b>			<b>DELCO REMY</b>			<b>DELCO REMY</b>		
1109192	201-28119 •	28-114	1113287	201-28109	28-113	1998378	201-28108 •	28-105
1109194	201-28119 •	28-114	1113288	201-28115	28-118	1998379	201-28119 •	28-114
1109198	201-28101 •	28-105	1113289	201-28110	28-117	1998380	201-28102 •	28-107
1109208	201-28123 •	28-103	1113290	201-28112	28-110	1998383	201-28107 •	28-115
1109219	201-28128 •	28-102	1113291	201-28203	28-115	1998384	201-28109 •	28-113
1109251	201-28103 •	28-103	1113292	201-28114	28-115	1998385	201-28107 •	28-115
1109252	201-28106 •	28-115	1113293	201-28120	28-109	1998387	201-28107 •	28-115
1109253	201-28101 •	28-105	1113294	201-28208	28-116	1998389	201-28115 •	28-118
1109258	201-28105 •	28-110	1113295	201-28127	28-101	1998394	201-28108 •	28-105
1109261	201-28101 •	28-105	1113296	201-28128	28-102	1998401	201-28127 •	28-101
1109263	201-28101 •	28-105	1113297	201-28111	28-113	1998408	201-28106 •	28-115
1109265	201-28103 •	28-103	1113589	201-28128 •	28-102	1998418	201-28110 •	28-117
1109269	201-28105 •	28-110	1113590	201-28127 •	28-101	1998420	201-28101 •	28-105
1109270	201-28125 •	28-120	1113593	201-28106 •	28-115	1998423	201-28106 •	28-115
1109272	201-28108 •	28-105	1113594	201-28201 •	28-115	1998442	201-28128 •	28-102
1109496	201-28102 •	28-107	1113597	201-28105 •	28-110	1998446	201-28105 •	28-110
1109539	201-28119 •	28-114	1113598	201-28104 •	28-110	1998455	201-28104 •	28-110
1109540	201-28115 •	28-118	1113599	201-28111 •	28-113	1998456	201-28106 •	28-115
1109542	201-28107 •	28-115	1914373	71001-001		1998457	201-28106 •	28-115
1109548	201-28109 •	28-113	1988709	201-28110 •	28-117	1998459	201-28201 •	28-115
1109550	201-28107 •	28-115	1998330	201-28101 •	28-105	1998468	201-28112 •	28-110
1109563	201-28128 •	28-102	1998334	201-28108 •	28-105	1998479	201-28107 •	28-115
1113266	201-28127	28-101	1998336	201-28107 •	28-115	1998480	201-28101 •	28-105
1113267	201-28128	28-102	1998337	201-28120 •	28-109	1998481	201-28107 •	28-115
1113269	201-28127	28-101	1998338	201-28108 •	28-105	1998484	201-28105 •	28-110
1113270	201-28128	28-102	1998339	201-28104 •	28-110	1998488	201-28203 •	28-115
1113271	201-28103	28-103	1998340	201-28112 •	28-110	1998490	201-28106 •	28-115
1113272	201-28206	28-103	1998342	201-28101 •	28-105	1998505	201-28114 •	28-115
1113273	201-28104	28-110	1998343	201-28125 •	28-120	1998519	201-28206 •	28-103
1113274	201-28105	28-110	1998346	201-28103 •	28-103	1998522	201-28114 •	28-115
1113275	201-28107	28-115	1998347	201-28104 •	28-110	10455500	201-28203	28-115
1113276	201-28106	28-115	1998349	201-28115 •	28-118	10456454	6601-2812	
1113277	201-28201	28-115	1998350	201-28105 •	28-110	10456455	5401-2801	
1113278	201-28107	28-115	1998353	201-28114 •	28-115	10456456	6901-2801	
1113279	201-28108	28-105	1998357	201-28105 •	28-110	10456457	68001-101	
1113280	201-28108	28-105	1998359	201-28119 •	28-114	10456458	68001-102	
1113281	201-28101	28-105	1998360	201-28119 •	28-114	10456461	1000-6103	
1113282	201-28101	28-105	1998364	201-28123 •	28-103	10456462	1000-6200	
1113283	201-28123	28-103	1998367	201-28103 •	28-103	10456463	1000-6105	
1113284	201-28125	28-120	1998368	201-28106 •	28-115	10456464	5501-2801	
1113285	201-28119	28-114	1998373	201-28105 •	28-110	10456466	6101-2810	
1113286	201-28102	28-107	1998376	201-28101 •	28-105	10456467	5201-2801	

• 28MT Gear Reduction (OE) replacement for direct drive 22-27MT Starter Motors.

# CROSS REFERENCE



Original No's.	Dixie No's.	ILL. No's.	Original No's.	Dixie No's.	ILL. No's.	Original No's.	Dixie No's.	ILL. No's.
<b>DELCO REMY</b>			<b>DELCO REMY</b>			<b>DELCO REMY</b>		
10456468	76601-003		10457265	5101-2815		10479620	201-28124	28-108
10456469	5301-2801		10461070	201-28110 •	28-117	10479621	201-28106	28-115
10456470	5301-2803		10465013	201-28127	28-101	10479624	201-28114	28-115
10456471	5101-2801		10465014	201-28128	28-102	10479628	201-28122	28-104
10456472	5101-2802		10465026	201-28106	28-115	10479629	201-28209	28-114
10456473	5701-2811		10465043	201-28106	28-115	10479630	201-28123	28-103
10457026	5101-2804		10465044	201-28105	28-110	10479636	201-28129	28-116
10457028	5101-2813		10465045	201-28107	28-115	10479659	201-28209	28-114
10457029	5101-2805		10465046	201-28107	28-115	10496881	201-28107 •	28-115
10457030	5101-2803		10465047	201-28108	28-105	10496882	201-28106 •	28-115
10457031	5101-2808		10465048	201-28108	28-105	10496883	201-28106 •	28-115
10457032	76601-001		10465049	201-28101	28-105	10496884	201-28201 •	28-115
10457033	76601-002		10465050	201-28101	28-105	10496885	201-28103 •	28-103
10457036	5201-2802		10465053	201-28127	28-101	10496886	201-28101 •	28-105
10457037	5301-2802		10465054	201-28128	28-102	10497165	201-28128 •	28-102
10457050	5101-2807		10465055	201-28102	28-107	10497171	201-28102 *	28-107
10457052	5101-2806		10465056	201-28109	28-113			
10457053	5101-2811		10465057	201-28111	28-113	<b>DENSO</b> <sup>∞</sup>		
10457055	6601-2811		10465058	201-28104	28-110	028000-588_	201-28114 *	28-115
10457056	5401-2807		10465149	201-28106 •	28-115	028000-840_	201-28123 *	28-103
10457057	5401-2803		10465150	201-28117	28-119	228000-640_	201-28101 *	28-105
10457058	5401-2804		10465168	201-28127	28-101			
10457059	5401-2805		10465170	201-28128 •	28-102	<b>FORD</b>		
10457060	5401-2806		10465211	201-28114	28-115	E3TF-11000-AA	201-28106 *	28-115
10457061	6601-2813		10465399	201-28106	28-115	E3TZ-11001-B	201-28106 *	28-115
10457115	6601-2821		10465405	201-28209	28-114	E3TZ-11002-B	201-28106 *	28-115
10457116	6601-2822		10473386	76101-001		E4TF-11000-A	201-28106 *	28-115
10457117	6101-2821		10479600	201-28204	28-106	E4TF-11000-AA	201-28106 *	28-115
10457118	5701-2821		10479604	201-28113	28-110	E5TF-11000-AA	201-28106 *	28-115
10457119	68001-201		10479605	201-28202	28-115	E5TF-11001-AA	201-28106 *	28-115
10457120	68001-202		10479606	201-28108	28-105	E5TZ-11002-B	201-28106 *	28-115
10457121	5401-2812		10479607	201-28121	28-111	E8TF-11000-AA	201-28106 *	28-115
10457122	5401-2809		10479608	201-28207	28-111	E8TZ-11002-A	201-28106 *	28-115
10457141	5401-2811		10479611	201-28205	28-102	F3HT-11001-AB	201-28117	28-119
10457142	5101-2809		10479612	201-28207	28-111	F3HT-11001-AC	201-28117	28-119
10457151	6601-2813		10479613	201-28118	28-111	F3HT-11001-DB	201-28116	28-114
10457152	6601-2821		10479614	201-28117	28-119	F3HT-11001-DC	201-28116	28-114
10457167	6401-2807		10479615	201-28116	28-114	F3HZ-11001-B	201-28116 *	28-114
10457168	5401-2808		10479616	201-28208	28-116	F3HZ-11002-A	201-28117	28-119
10457169	5301-2804		10479617	201-28126	28-116	F3HZ-11002-B	201-28116	28-114
10457170	5101-2810		10479618	201-28116	28-114	F3TU-11000-AA	201-28106 *	28-115
10457172	5101-2812		10479619	201-28109	28-113	F4HT-11001-AA	201-28117	28-119


\* This unit was designed to replace this specific OEM unit number; it may not be physically suitable for all intended applications. Refer to the respective Illustration for dimensions.

<sup>∞</sup> Denso numbers are listed without the last digit which denotes a minor production change, not a different unit.

• 28MT Gear Reduction (OE) replacement for direct drive 20-27MT Starter Motors.

Original No's.	Dixie No's.	ILL. No's.	Original No's.	Dixie No's.	ILL. No's.	Original No's.	Dixie No's.	ILL. No's.
<b>FORD</b>			<b>JOHN DEERE</b>			<b>WHITE</b>		
F4HT-11001-BA	201-28116	28-114	TY6620	201-28103 *	28-103	1014194S	201-28101 *	28-105
F4PU-11000-AA	201-28106 *	28-115	TY6688	201-28123 *	28-103	303123383	201-28101 *	28-105
F4TZ-11002-B	201-28106 *	28-115	TY6702	201-28103 *	28-103			
F7HT-11001-EA	201-28117	28-119	TY6719	201-28123 *	28-103			
F7HT-11001-FA	201-28116	28-114	TY6720	201-28103 *	28-103			
F7HZ-11002-EA	201-28117*	28-119	<b>LEECE-NEVILLE</b>					
F7HZ-11002-FA	201-28116*	28-114	4502ME	201-28116 *	28-114			
SA-802	201-28117	28-119	4503ME	201-27117 *	28-119			
SA-803	201-28116	28-114	<b>LUCAS</b>					
SA-846	201-28117*	28-119	26336	201-28125 *	28-120			
SA-847	201-28116*	28-114	26336D	201-28125 *	28-120			
<b>HYSTER</b>			26336H	201-28125 *	28-120			
313394	201-28107	28-115	26428	201-28125 *	28-120			
3001265	201-28120 *	28-109	26433	201-28125 *	28-120			
3042511	201-28101 *	28-105	27508	201-28125 *	28-120			
<b>ISKRA</b>			27556	201-28125 *	28-120			
11.130.534	201-28103 *	28-103	27575	201-28125 *	28-120			
AZJ-3158	201-28103 *	28-103	27586	201-28125 *	28-120			
<b>JOHN DEERE</b>			<b>MASSEY FERGUSON</b>					
AL39700	201-28103 *	28-103	508544M91	201-28105 *	28-110			
AL41247	201-28103 *	28-103	517533M93	201-28101 *	28-105			
AL62690	201-28103 *	28-103	579937M91	201-28101 *	28-105			
AL62772	201-28103 *	28-103	1903101M91	201-28105 *	28-110			
AL78760	201-28103 *	28-103	1903103M91	201-28101 *	28-105			
AR25619	201-28103 *	28-103	1903117M91	201-28101 *	28-105			
AR66424	201-28103 *	28-103	<b>MITSUBISHI</b>					
AR70436	201-28103 *	28-103	M3T90071	201-28106 *	28-115			
AT18150	201-28103 *	28-103	M3T90072	201-28106 *	28-115			
AT23401	201-28103 *	28-103	M8T50171	201-28106 *	28-115			
AT25619	201-28103 *	28-103	<b>RENAULT</b>					
RE19187	201-28103 *	28-103	50 10 090 371	201-28110 *	28-117			
RE19275	201-28123 *	28-103	<b>THERMO KING</b>					
RE49033	201-28123 *	28-103	3185C37G01	201-28101 *	28-105			
RE51447	201-28103 *	28-103						
RE54092	201-28123 *	28-103						
RE60854	201-28103 *	28-103						
TY1458	201-28103 *	28-103						
TY6614	201-28103 *	28-103						
TY6615	201-28103 *	28-103						

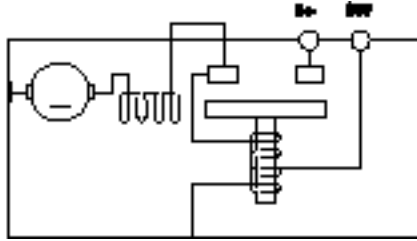
\* This unit was designed to replace this specific OEM unit number; it may not be physically suitable for all intended applications. Refer to the respective Illustration for dimensions.

 STARTER	ILLUSTRATION	PINION TEETH	OIL SEALED	ROTATION	SOLENOID PULL IN WINDING CURRENT (A)	SOLENOID HOLD IN WINDING CURRENT (A)	ELECTRICAL DIAGRAMS ❖	PERFORMANCE CURVES FIG. NO.❖	WEIGHT	APPLICATION ( TYPICAL )
<b>12V 2.8 kW</b>										
201-28101	28-105	10	NO	CW	56	13	1	1	8.6 kg	BOBCAT, CLARK
201-28102	28-107	9	NO	CW	56	13	1	1	8.6 kg	DEUTZ-ALLIS, KHD
201-28103	28-103	10	NO	CW	56	13	1	1	8.6 kg	JOHN DEERE
201-28104	28-110	12	NO	CW	56	13	1	1	8.6 kg	HYSTER, PERKINS
201-28105	28-110	10	NO	CW	56	13	1	1	8.6 kg	MASSEY, PERKINS
201-28106	28-115	10	NO	CW	56	13	1	1	8.6 kg	CUMMINS
201-28107	28-115	10	NO	CW	56	13	1	1	8.6 kg	HYSTER, PERKINS
201-28108	28-105	12	NO	CW	56	13	1	1	8.6 kg	LISTER, PERKINS
201-28109	28-113	9	NO	CW	56	13	1	1	8.6 kg	TELEDYNE
201-28110	28-117	10	NO	CW	56	13	1	1	8.6 kg	MACK, RENAULT
201-28111	28-113	10	NO	CW	56	13	1	1	8.6 kg	MILLER
201-28112	28-110	10	YES	CW	56	13	1	1	8.6 kg	HYSTER
201-28113	28-110	10	NO	CW	56	13	1	1	8.6 kg	CUMMINS, OSHKOSH
201-28114	28-115	10	YES	CW	56	13	1	1	8.6 kg	CUMMINS
201-28115	28-118	10	YES	CW	56	13	1	1	8.6 kg	PERKINS
201-28116	28-114	10	NO	CW	56	13	1	1	8.6 kg	CUMMINS, FORD
201-28117	28-119	10	NO	CW	56	13	1	1	8.6 kg	CUMMINS, FORD,
201-28118	28-111	12	YES	CW	56	13	1	1	8.6 kg	BOBCAT
201-28119	28-114	10	YES	CW	56	13	1	1	8.6 kg	BOBCAT
201-28120	28-109	10	YES	CW	56	13	1	1	8.6 kg	HYSTER
201-28121	28-111	10	NO	CW	56	13	2	1	8.6 kg	LISTER-PETTER
201-28122	28-104	10	NO	CW	56	13	1	1	8.6 kg	JOHN DEERE
201-28123	28-103	10	YES	CW	56	13	1	1	8.6 kg	JOHN DEERE
201-28124	28-108	9	NO	CW	56	13	2	1	8.6 kg	DEUTZ-ALLIS
201-28125	28-120	10	NO	CW	56	13	1	1	8.6 kg	HOUGH
201-28126	28-116	10	YES	CW	56	13	2	1	8.6 kg	CUMMINS
201-28127	28-101	10	NO	CW	56	13	1	1	8.6 kg	GMC
201-28128	28-102	10	NO	CW	56	13	1	1	8.6 kg	GMC
201-28129	28-116	10	YES	CW	56	13	1	1	8.6 kg	AGCO
<b>24V 4.0 kW</b>										
201-28201	28-115	10	NO	CW	113	13	1	2	8.6 kg	CUMMINS
201-28202	28-115	10	NO	CW	113	13	1	2	8.6 kg	DETROIT, PERKINS
201-28203	28-115	10	YES	CW	113	13	1	2	8.6 kg	MACK
201-28204	28-106	12	NO	CW	113	13	2	2	8.6 kg	LISTER-PETTER
201-28205	28-102	10	NO	CW	113	13	1	2	8.6 kg	CHEVROLET & GMC
201-28206	28-103	10	YES	CW	113	13	1	2	8.6 kg	JOHN DEERE
201-28207	28-111	10	NO	CW	113	13	2	2	8.6 kg	LISTER-PETTER
201-28208	28-116	10	YES	CW	113	13	2	2	8.6 kg	CUMMINS
201-28209	28-114	10	YES	CW	113	13	1	2	8.6 kg	CUMMINS
201-28210	28-114	10	YES	CW	113	13	1	2	8.6 kg	PERKINS

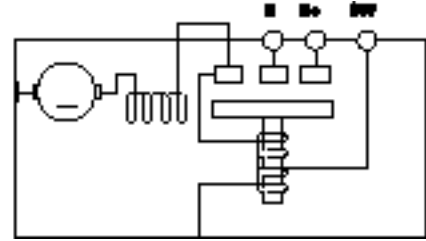
❖ Refer to page: 7

**ELECTRICAL DIAGRAMS**

**Diagram 1**



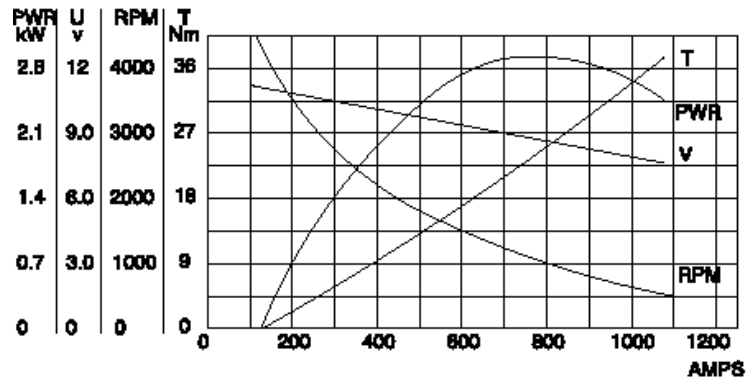
**Diagram 2**



**PERFORMANCE CURVES**

**FIG.1**

**12V, 2.8 kW**

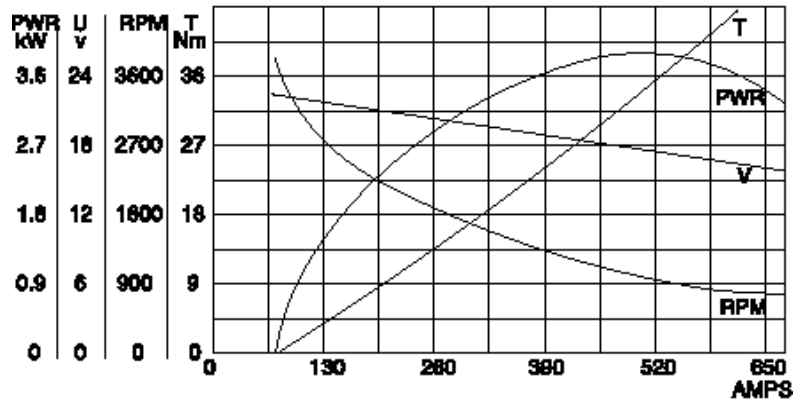


<b>MAXIMUM POWER</b>	<b>2.8 kW</b>
<b>SPEED @ MAX. POWER</b>	<b>1260 RPM</b>
<b>FREE RUN SPEED</b>	<b>4500 RPM</b>
<b>CURRENT @ MAX. POWER</b>	<b>750 A</b>
<b>FREE RUN CURRENT</b>	<b>110 A</b>
<b>TORQUE @ MAX. POWER</b>	<b>20.7 Nm</b>
<b>TORQUE @ 1200 A</b>	<b>42 Nm</b>

**PERFORMANCE CURVES**

**FIG.2**

**24V, 4.0 kW**



<b>MAXIMUM POWER</b>	<b>4.0 kW</b>
<b>SPEED @ MAX. POWER</b>	<b>1140 RPM</b>
<b>FREE RUN SPEED</b>	<b>3831 RPM</b>
<b>CURRENT @ MAX. POWER</b>	<b>513 A</b>
<b>FREE RUN CURRENT</b>	<b>72 A</b>
<b>TORQUE @ MAX. POWER</b>	<b>40.8 Nm</b>
<b>TORQUE @ 587 A</b>	<b>40.9 Nm</b>

# OUTLINE SPECIFICATIONS

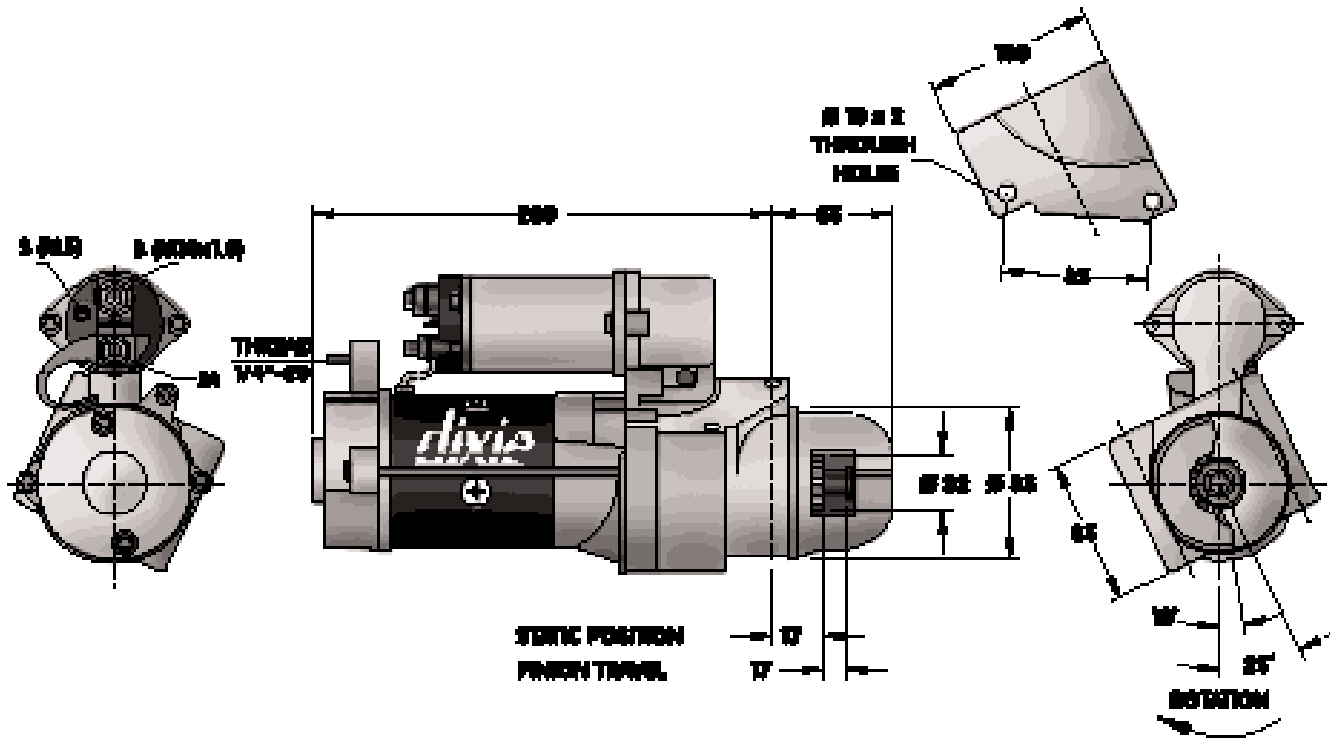


Illustration  
28-101

201-28127 12V, 2.8 kW, 10T

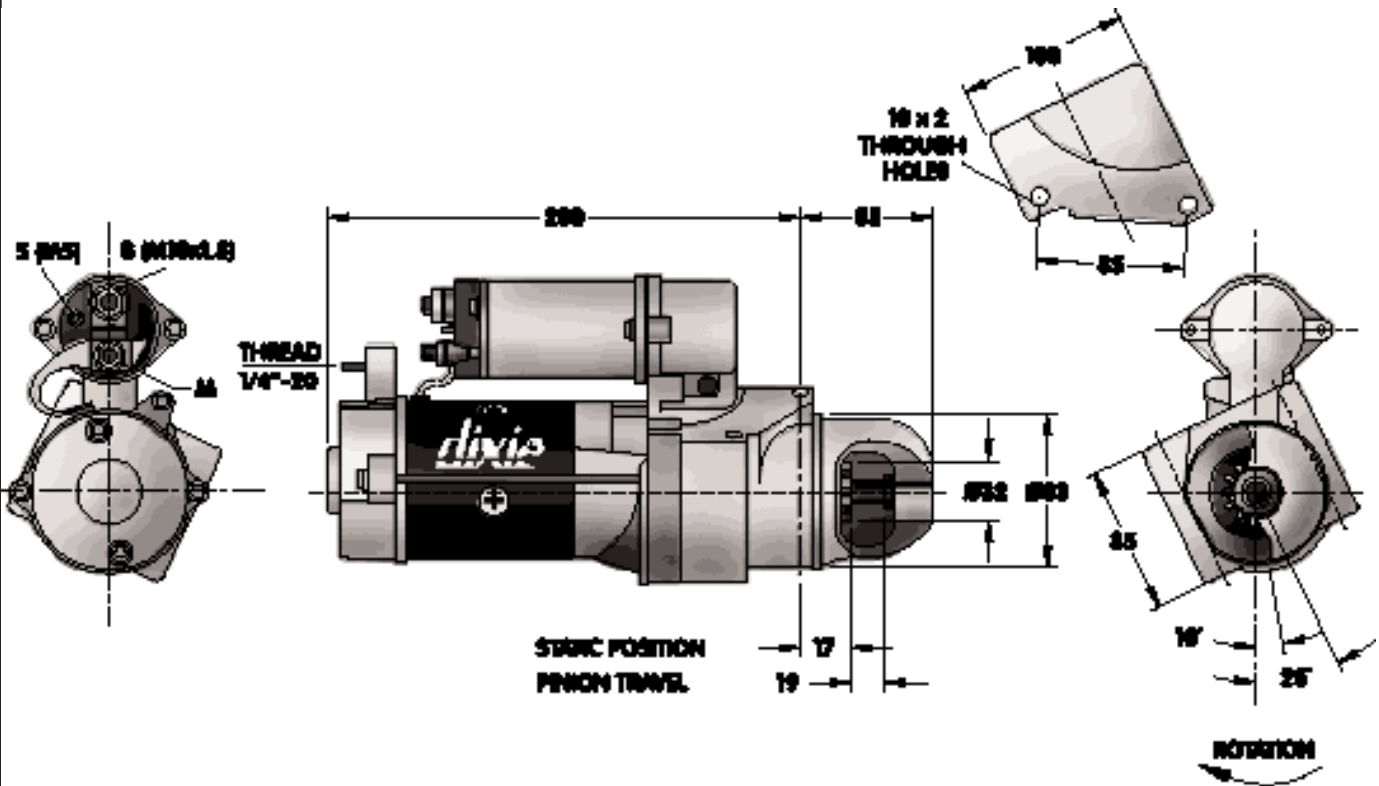
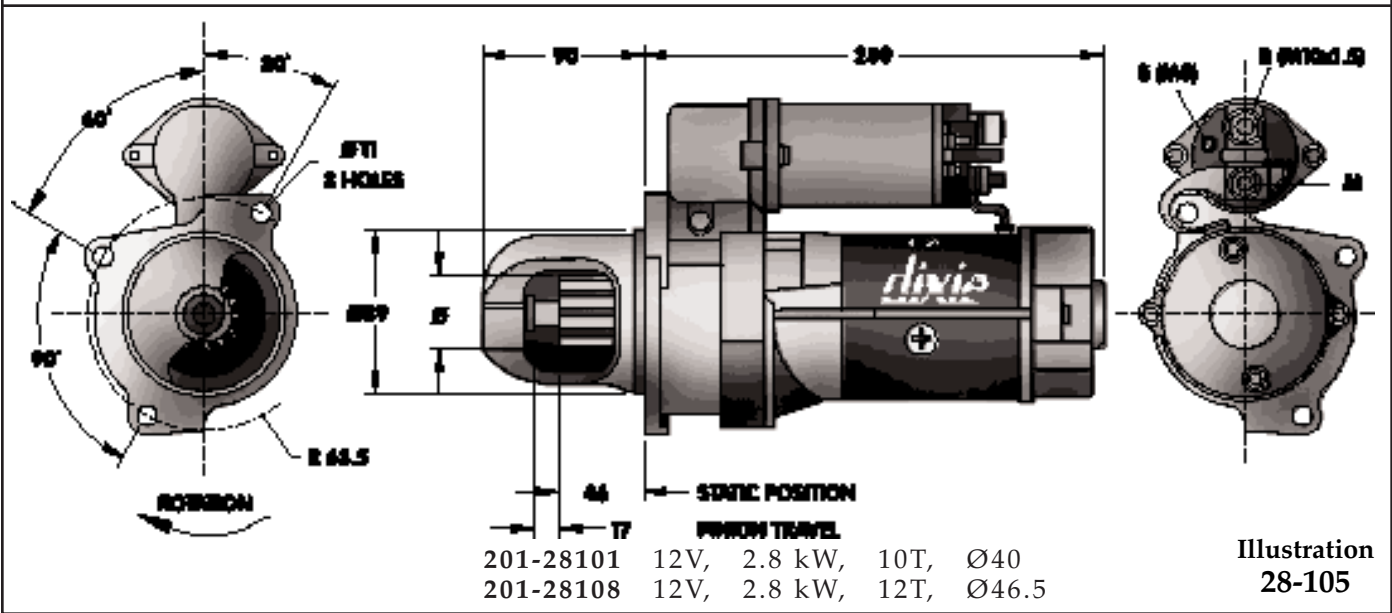
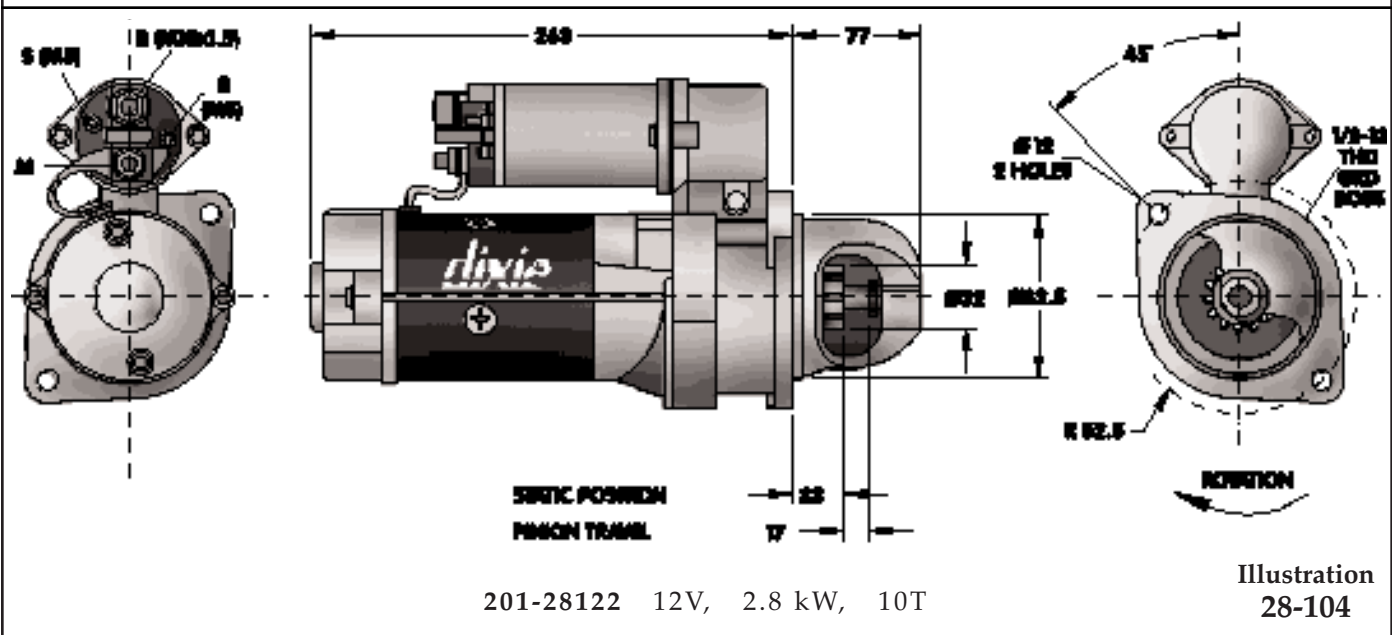
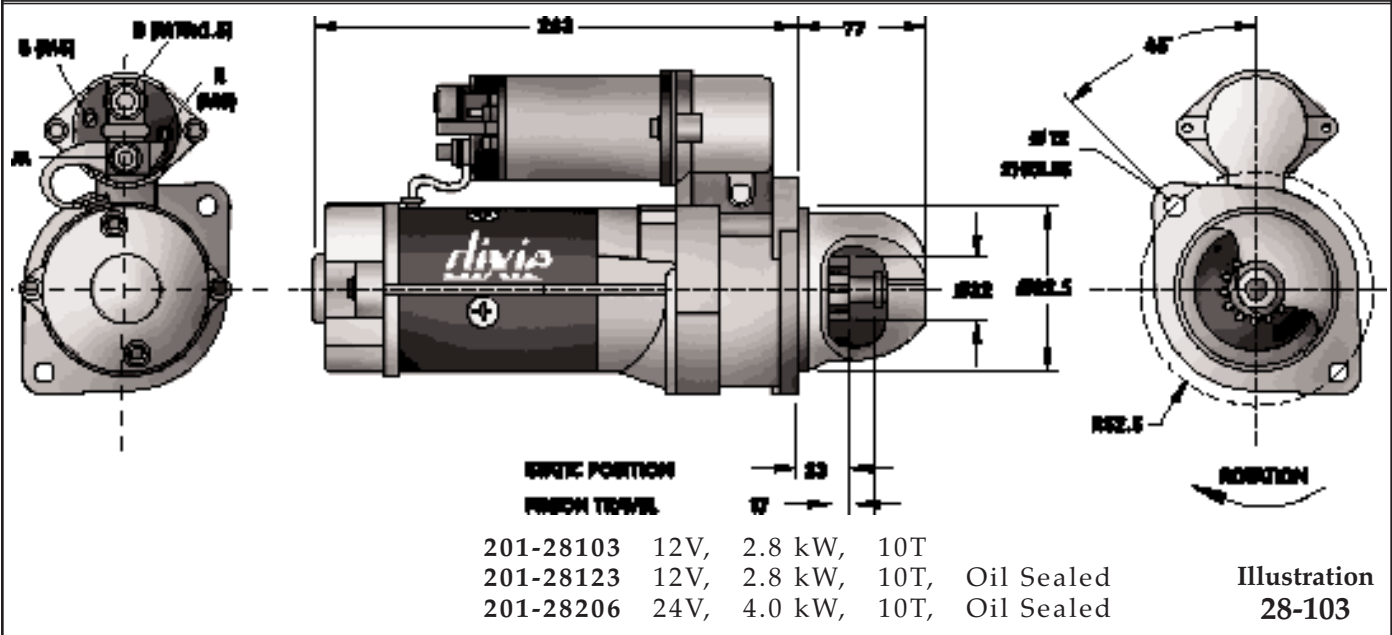


Illustration  
28-102

201-28128 12V, 2.8 kW, 10T  
201-28205 24V, 4.0 kW, 10T



# OUTLINE SPECIFICATIONS

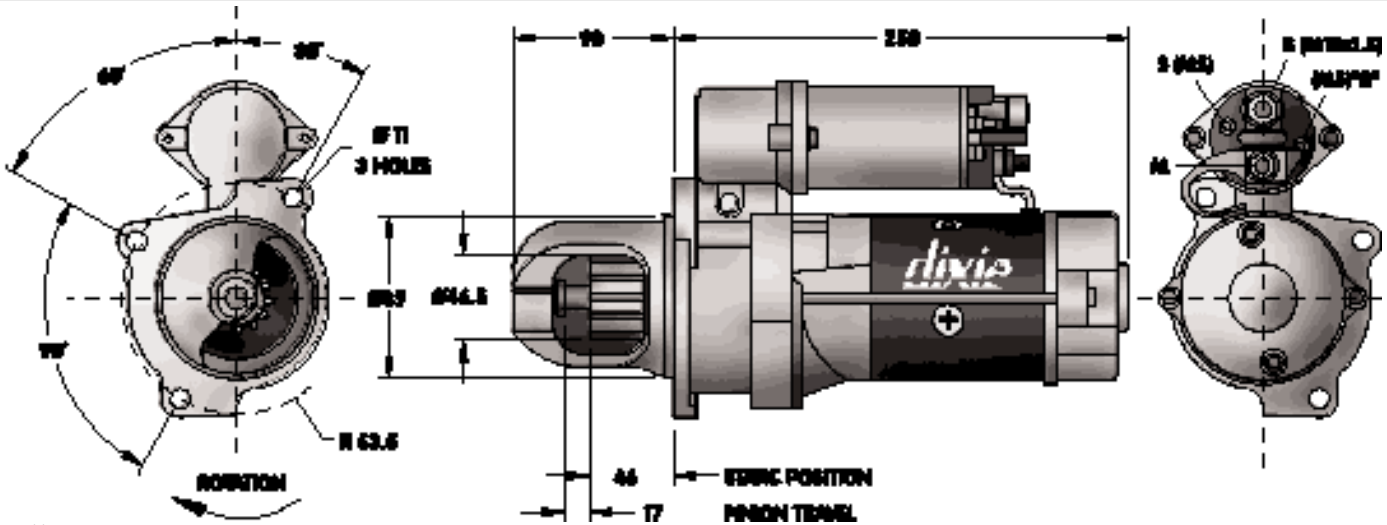


Illustration  
28-106

201-28204 24V, 4.0 kW, 12T

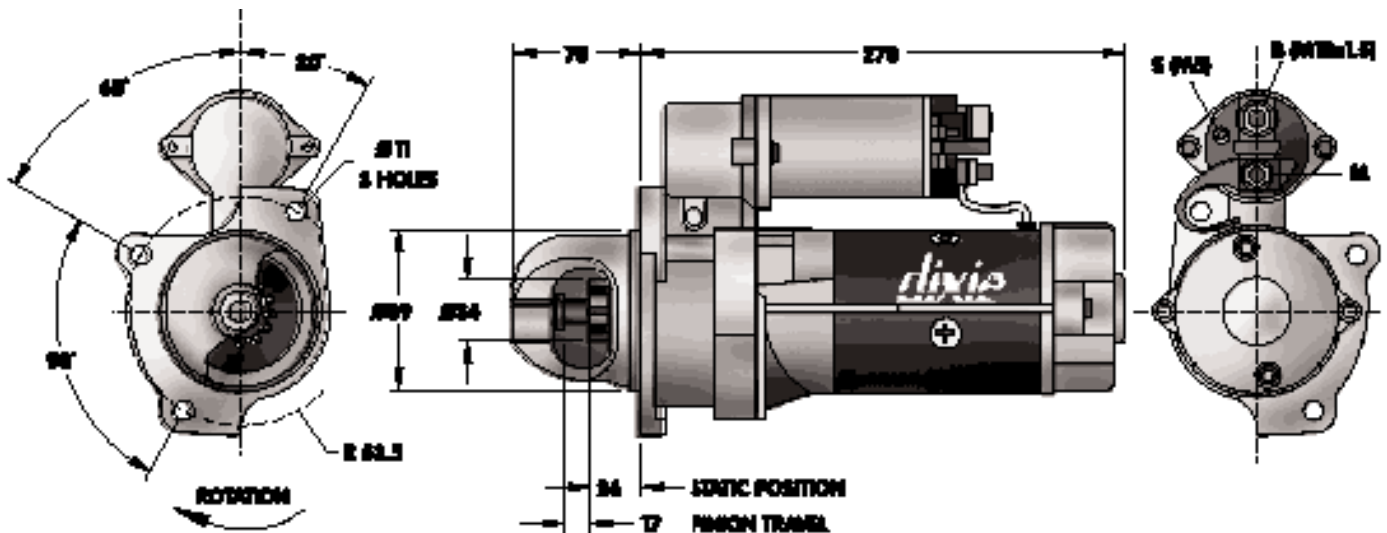


Illustration  
28-107

201-28102 12V, 2.8 kW, 9T

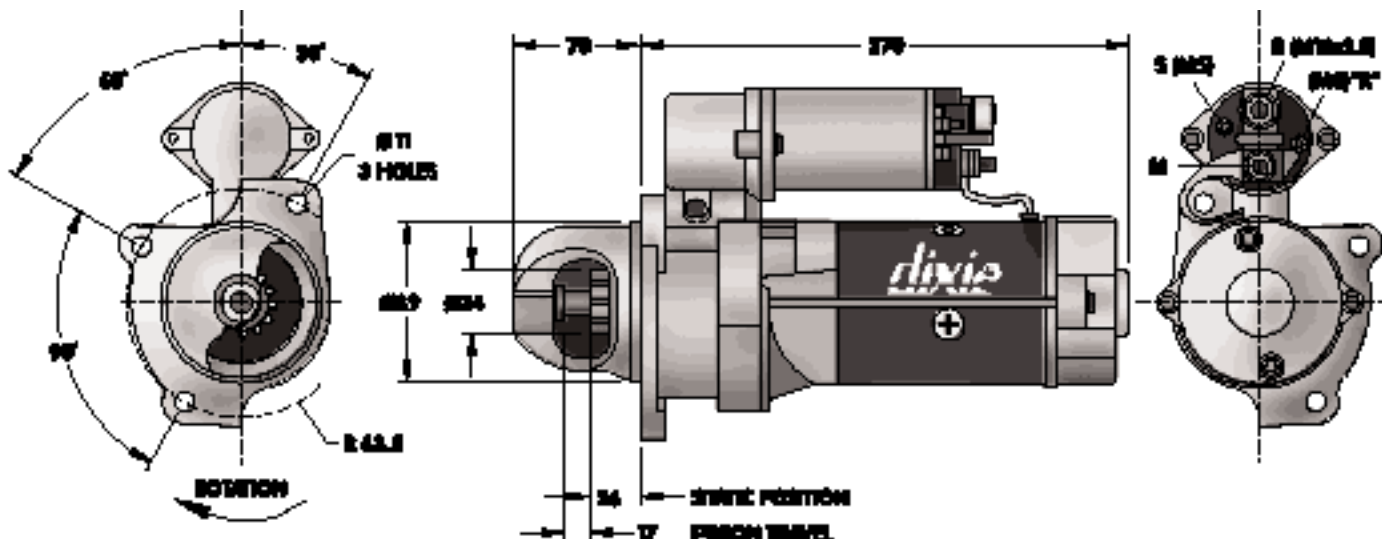
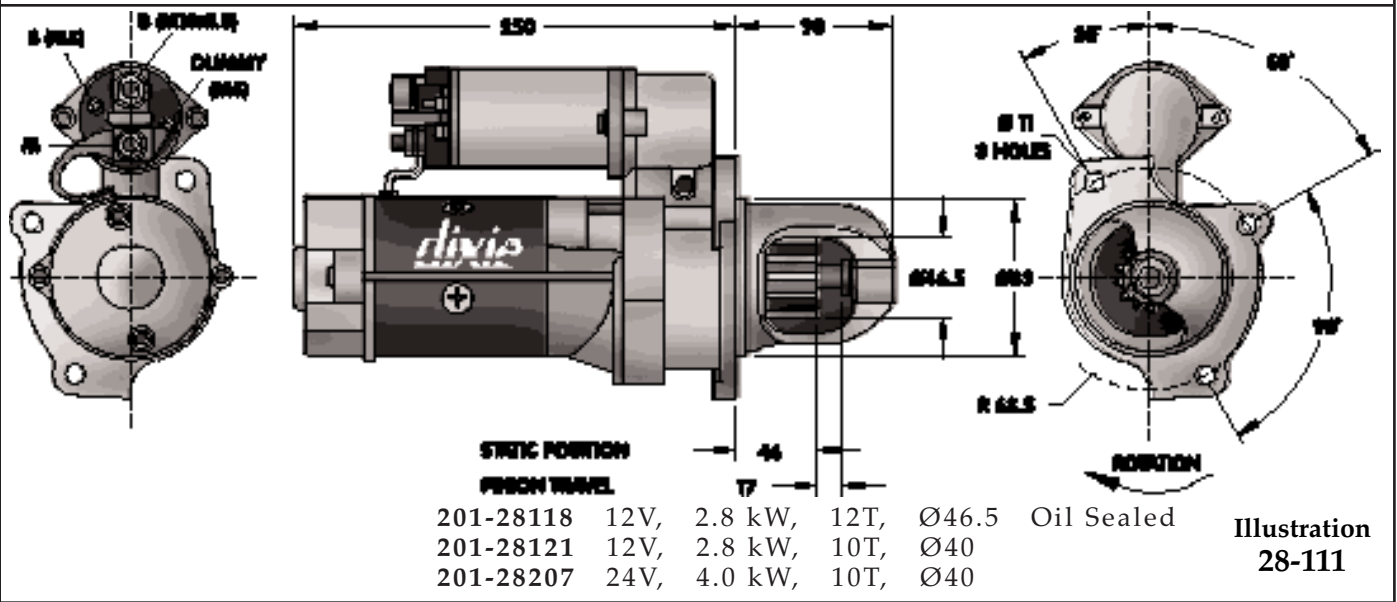
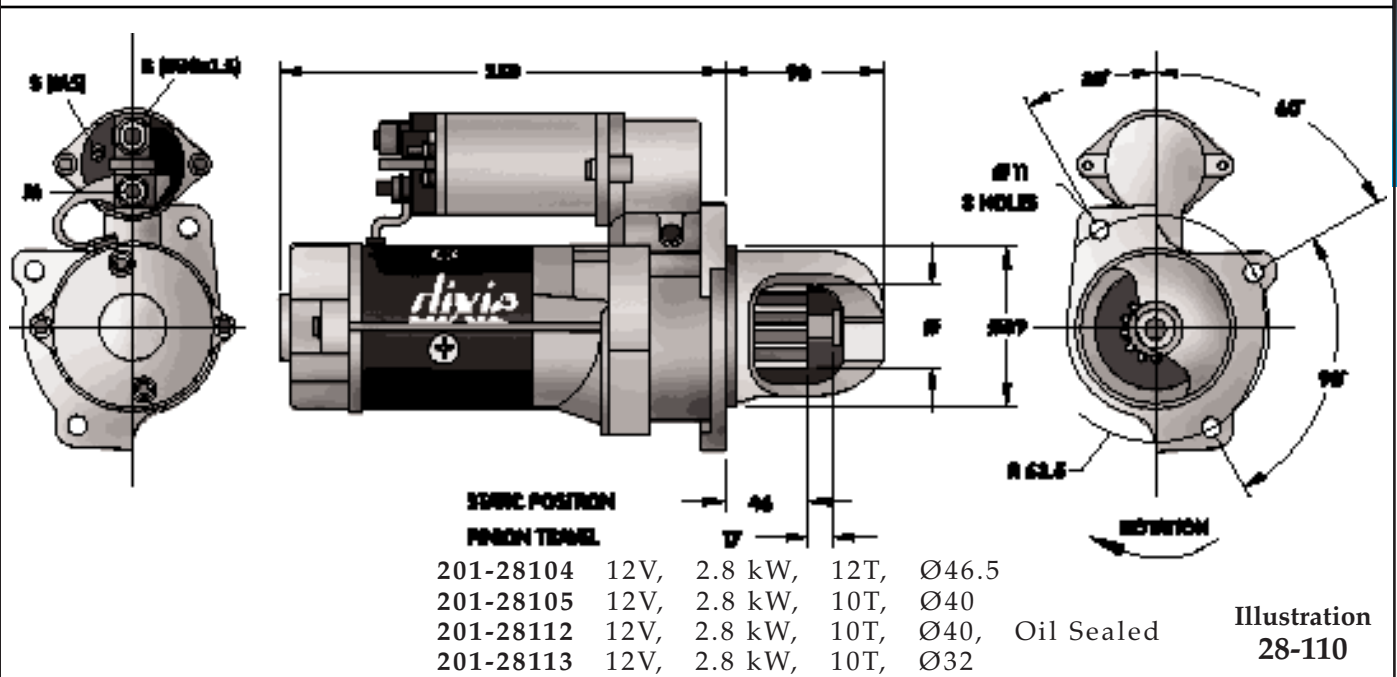
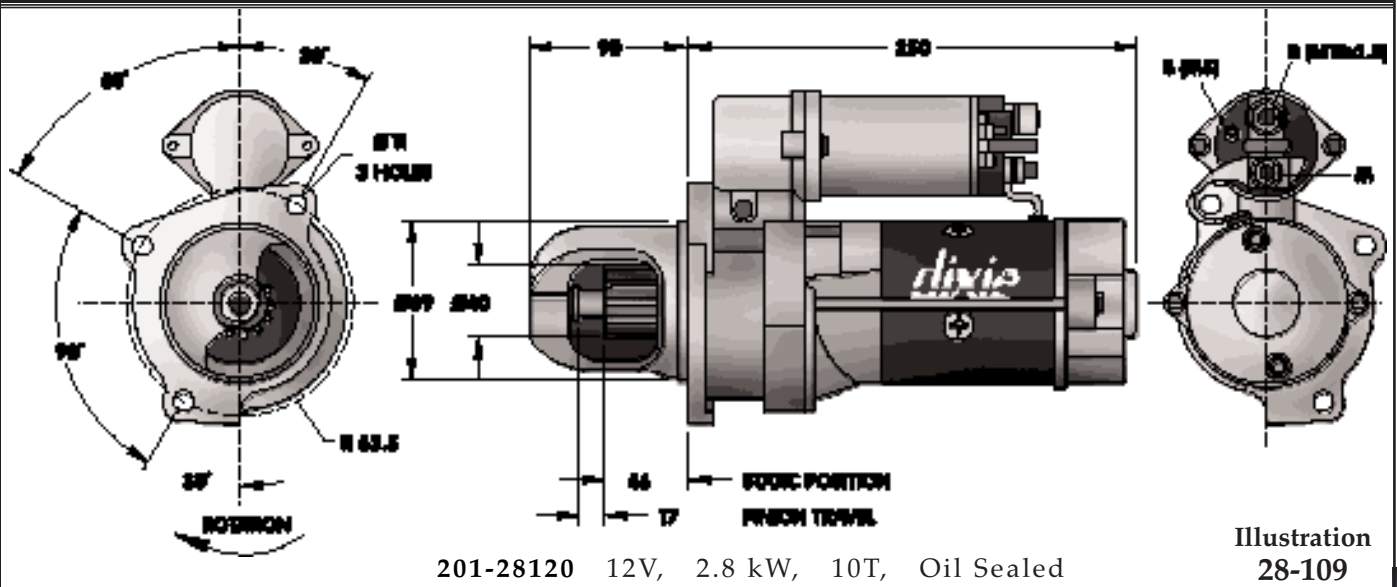


Illustration  
28-108

201-28124 12V, 2.8 kW, 9T

3



# OUTLINE SPECIFICATIONS

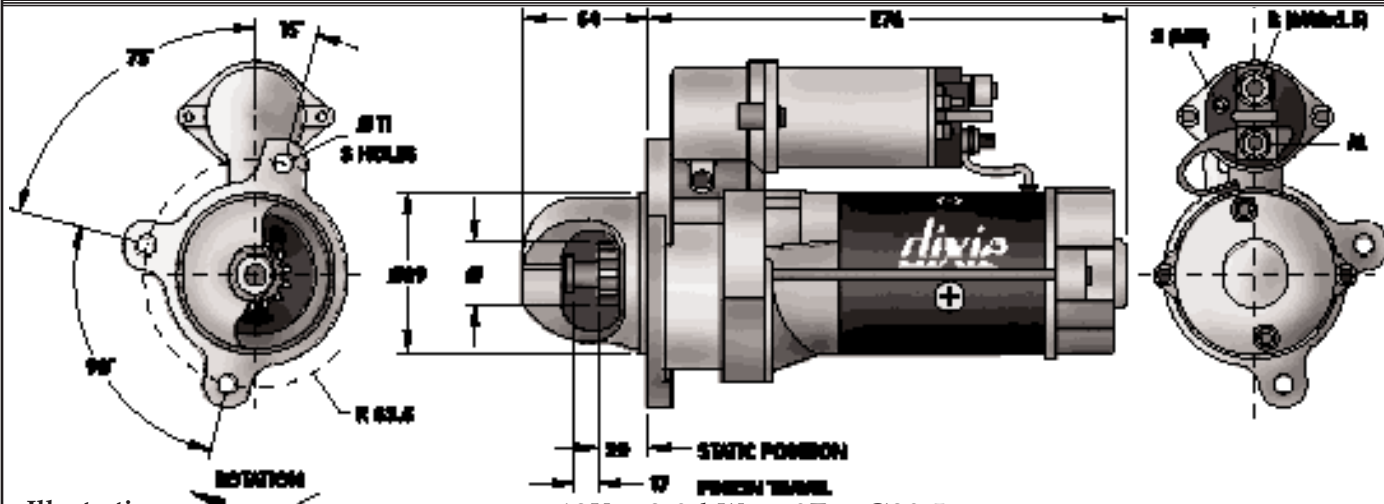


Illustration  
28-113

201-28109	12V,	2.8 kW,	9T,	Ø29.5	13 mm Ø Shaft
201-28111	12V,	2.8 kW,	10T,	Ø40	14 mm Ø Shaft

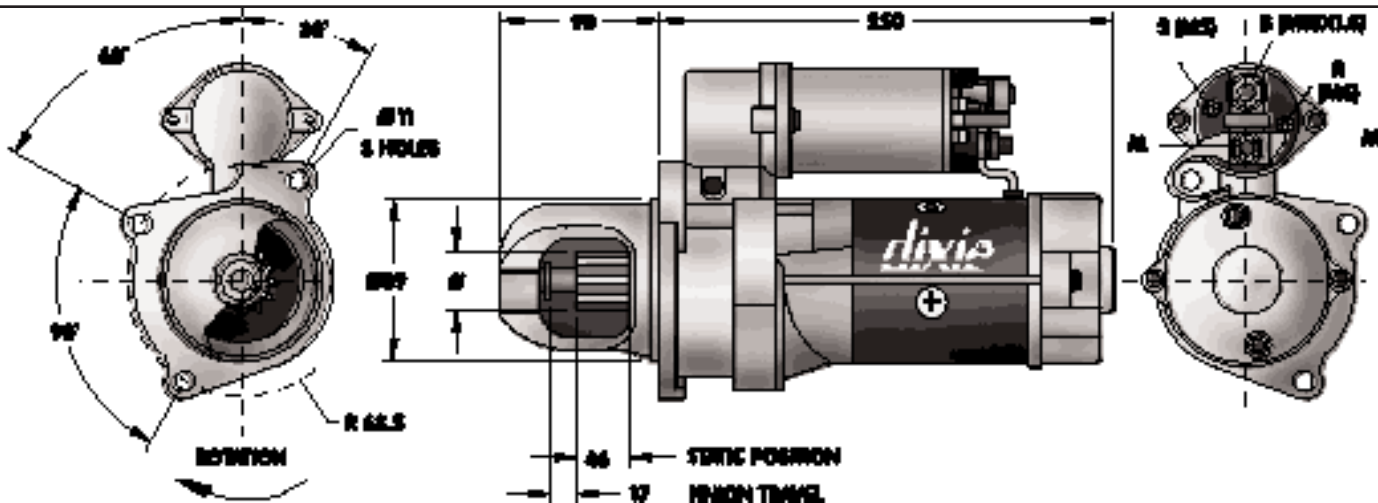


Illustration  
28-114

201-28116	12V,	2.8 kW,	10T,	Ø32	
201-28119	12V,	2.8 kW,	10T,	Ø40,	Oil Sealed
201-28209	24V,	4.0 kW,	10T,	Ø32,	Oil Sealed
201-28210	24V,	4.0 kW,	10T,	Ø40,	Oil Sealed

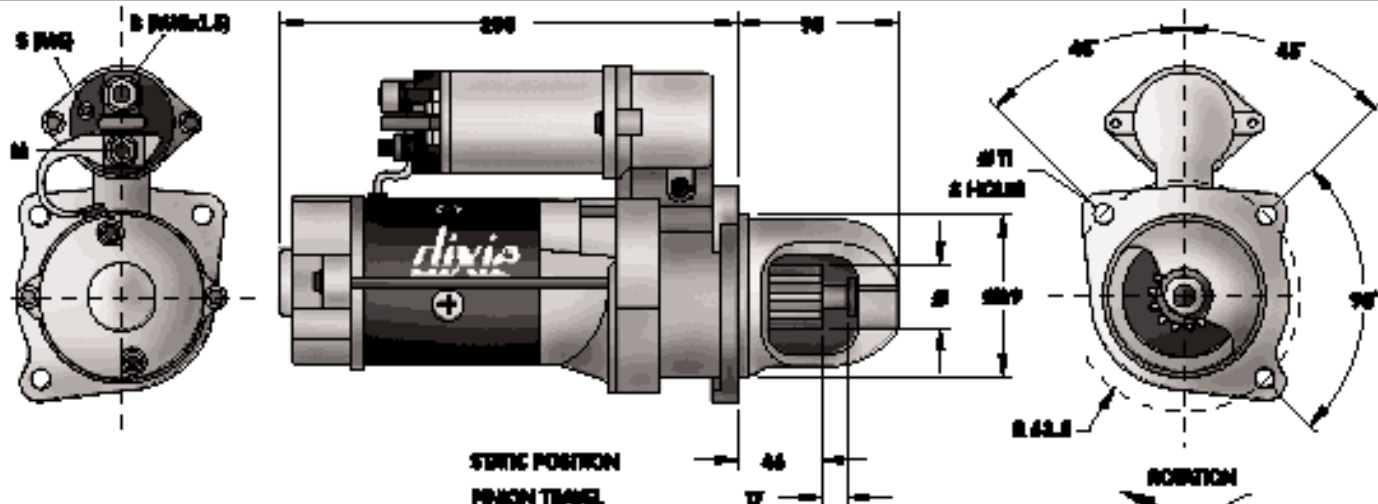


Illustration  
28-115

201-28106	12V,	2.8 kW,	10T,	Ø32	
201-28107	12V,	2.8 kW,	10T,	Ø40	
201-28114	12V,	2.8 kW,	10T,	Ø32,	Oil Sealed
201-28201	24V,	4.0 kW,	10T,	Ø32	
201-28202	24V,	4.0 kW,	10T,	Ø40	
201-28203	24V,	4.0 kW,	10T,	Ø32,	Oil Sealed

201-28126	12V,	2.8 kW,	10T,	Ø32,	Oil Sealed	Illustration 28-116
201-28129	12V,	2.8 kW,	10T,	Ø40,	Oil Sealed	
201-28208	24V,	4.0 kW,	10T,	Ø32,	Oil Sealed	

201-28110	12V,	2.8 kW,	10T			Illustration 28-117
-----------	------	---------	-----	--	--	------------------------

201-28115	12V,	2.8 kW,	10T,	Oil Sealed		Illustration 28-118
-----------	------	---------	------	------------	--	------------------------

# OUTLINE SPECIFICATIONS

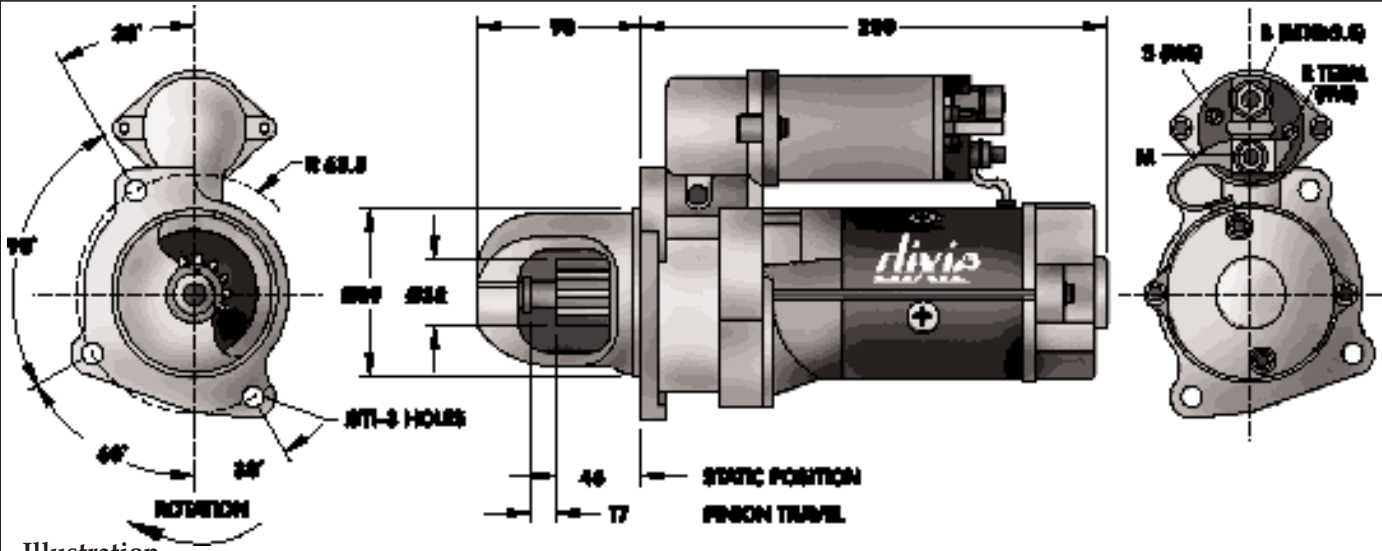


Illustration  
28-119

201-28117 12V, 2.8 kW, 10T

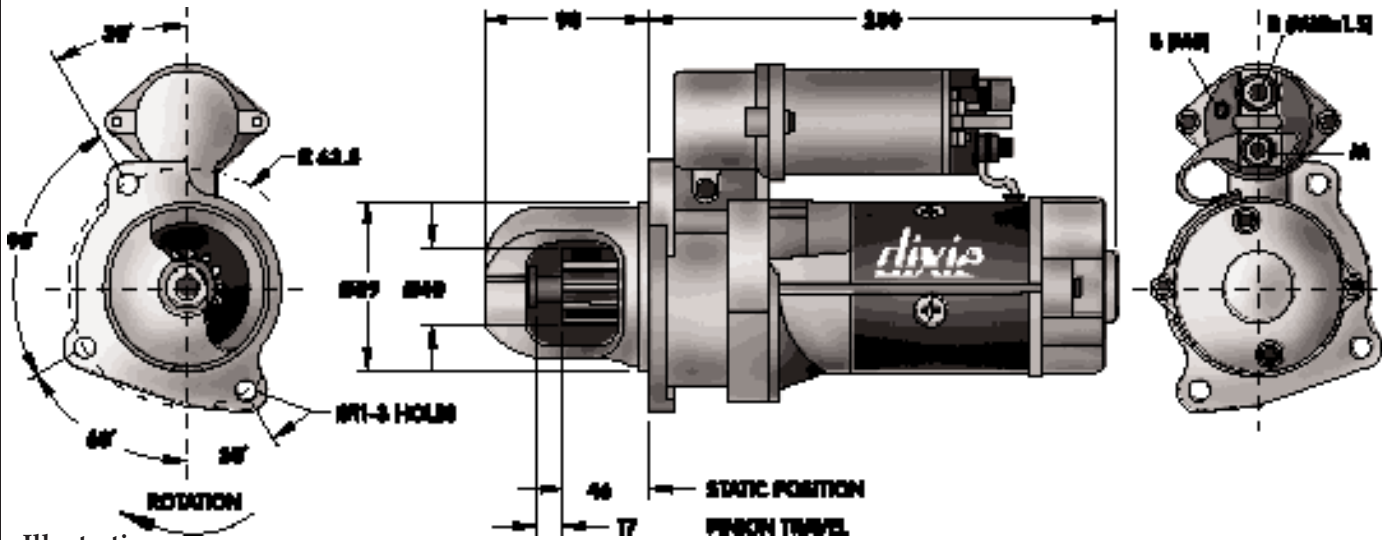


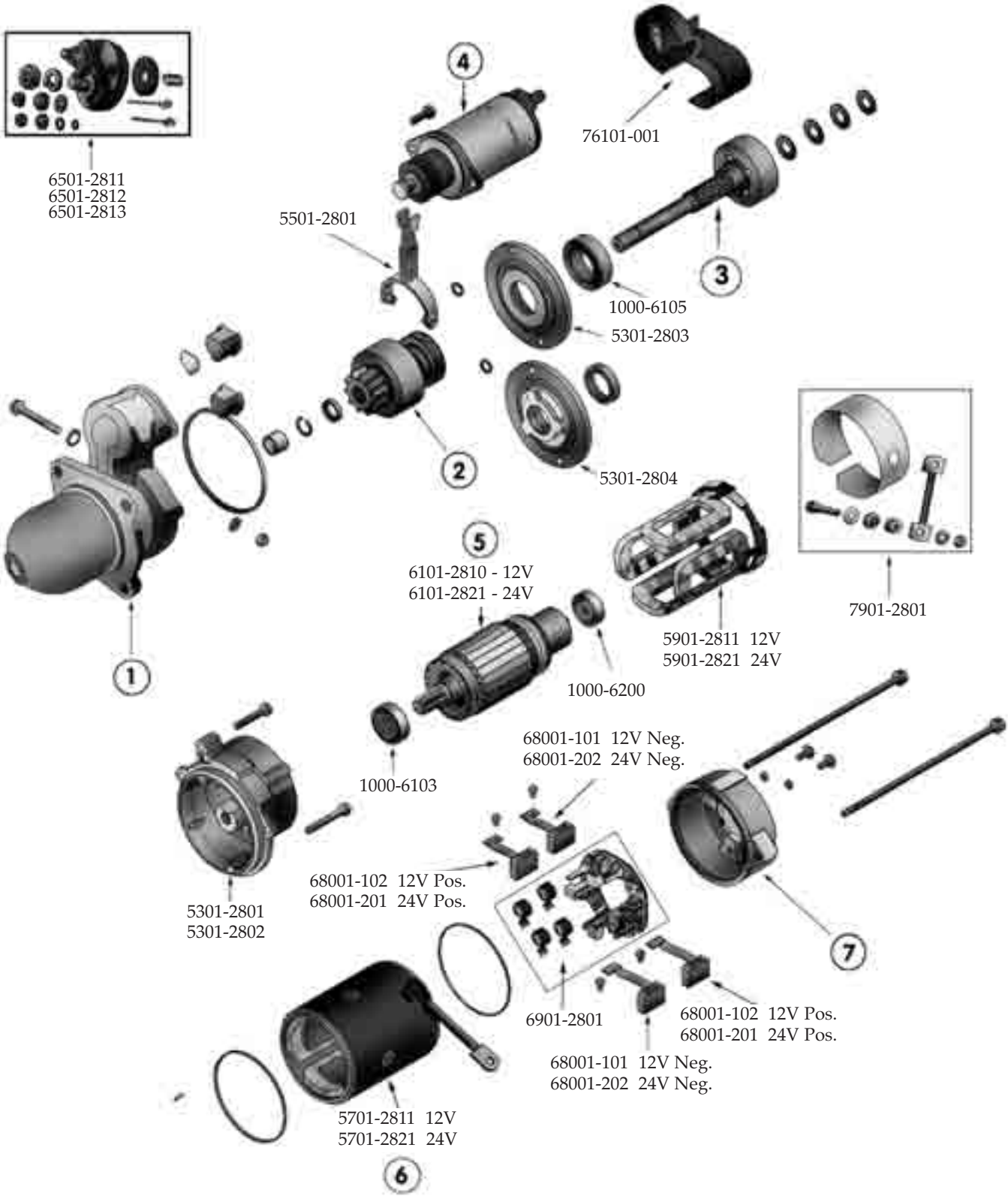
Illustration  
28-120

201-28125 12V, 2.8 kW, 10T













6501-2811  
6501-2812  
6501-2813



4

	V / kW	Type	ILL.	 ① D.E.Hsg.	 ② Drive Assy.	 ③ Drive Shaft	 ④ Solenoid	 ⑤ Armature	 ⑥ Field Housing	 ⑦ C.E. Frame
<b>12V 2.8 kW</b>										
201-28101	12/2.8	Dry	28-105	5101-2805	5401-2803	76601-001	6601-2811	6101-2810	5701-2811	5201-2802
201-28102	12/2.8	Dry	28-107	5101-2808	5401-2805	76601-001	6601-2811	6101-2810	5701-2811	5201-2802
201-28103	12/2.8	Dry	28-103	5101-2807	5401-2807	76601-001	6601-2813	6101-2810	5701-2811	5201-2802
201-28104	12/2.8	Dry	28-110	5101-2803	5401-2808	76601-001	6601-2811	6101-2810	5701-2811	5201-2802
201-28105	12/2.8	Dry	28-110	5101-2803	5401-2803	76601-001	6601-2812	6101-2810	5701-2811	5201-2802
201-28106	12/2.8	Dry	28-115	5101-2804	5401-2807	76601-001	6601-2811	6101-2810	5701-2811	5201-2802
201-28107	12/2.8	Dry	28-115	5101-2804	5401-2803	76601-001	6601-2811	6101-2810	5701-2811	5201-2802
201-28108	12/2.8	Dry	28-105	5101-2805	5401-2808	76601-001	6601-2811	6101-2810	5701-2811	5201-2802
201-28109	12/2.8	Dry	28-113	5101-2812	5401-2806	76601-002	6601-2811	6101-2810	5701-2811	5201-2802
201-28110	12/2.8	Dry	28-117	5101-2811	5401-2803	76601-001	6601-2811	6101-2810	5701-2811	5201-2802
201-28111	12/2.8	Dry	28-113	5101-2813	5401-2803	76601-001	6601-2811	6101-2810	5701-2811	5201-2802
201-28112	12/2.8	Wet	28-110	5101-2803	5401-2803	76601-001	6601-2811	6101-2810	5701-2811	5201-2802
201-28113	12/2.8	Dry	28-110	5101-2803	5401-2807	76601-001	6601-2811	6101-2810	5701-2811	5201-2802
201-28114	12/2.8	Wet	28-115	5101-2804	5401-2807	76601-001	6601-2811	6101-2810	5701-2811	5201-2802
201-28115	12/2.8	Wet	28-118	5101-2806	5401-2803	76601-001	6601-2811	6101-2810	5701-2811	5201-2802
201-28116	12/2.8	Dry	28-114	5101-2810	5401-2807	76601-001	6601-2811	6101-2810	5701-2811	5201-2802
201-28117	12/2.8	Dry	28-119	5101-2809	5401-2807	76601-001	6601-2813	6101-2810	5701-2811	5201-2802
201-28118	12/2.8	Wet	28-111	5101-2803	5401-2808	76601-001	6601-2811	6101-2810	5701-2811	5201-2802
201-28119	12/2.8	Wet	28-114	5101-2810	5401-2803	76601-001	6601-2813	6101-2810	5701-2811	5201-2802
201-28120	12/2.8	Wet	28-109	5101-2814	5401-2803	76601-001	6601-2811	6101-2810	5701-2811	5201-2802
201-28121	12/2.8	Dry	28-111	5101-2803	5401-2803	76601-001	6601-2813	6101-2810	5701-2811	5201-2802
201-28122	12/2.8	Dry	28-104	5101-2815	5401-2807	76601-001	6601-2813	6101-2810	5701-2811	5201-2802
201-28123	12/2.8	Wet	28-103	5101-2807	5401-2807	76601-001	6601-2813	6101-2810	5701-2811	5201-2802
201-28124	12/2.8	Dry	28-108	5101-2808	5401-2805	76601-001	6601-2813	6101-2810	5701-2811	5201-2802
201-28125	12/2.8	Dry	28-120	5101-2809	5401-2803	76601-001	6601-2811	6101-2810	5701-2811	5201-2802
201-28126	12/2.8	Wet	28-116	5101-2804	5401-2807	76601-001	6601-2813	6101-2810	5701-2811	5201-2802
201-28127	12/2.8	Dry	28-101	5101-2801	5401-2807	76601-003	6601-2812	6101-2810	5701-2811	5201-2801
201-28128	12/2.8	Dry	28-102	5101-2802	5401-2807	76601-003	6601-2812	6101-2810	5701-2811	5201-2801
201-28129	12/2.8	Wet	28-116	5101-2804	5401-2803	76601-001	6601-2813	6101-2810	5701-2811	5201-2802
<b>24V 4.0 kW</b>										
201-28201	24/4.0	Dry	28-115	5101-2804	5401-2812	76601-001	6601-2821	6101-2821	5701-2821	5201-2802
201-28202	24/4.0	Dry	28-115	5101-2804	5401-2809	76601-001	6601-2822	6101-2821	5701-2821	5201-2802
201-28203	24/4.0	Wet	28-115	5101-2804	5401-2812	76601-001	6601-2822	6101-2821	5701-2821	5201-2802
201-28204	24/4.0	Dry	28-106	5101-2805	5401-2811	76601-001	6601-2821	6101-2821	5701-2821	5201-2802
201-28205	24/4.0	Dry	28-102	5101-2802	5401-2812	76601-001	6601-2821	6101-2821	5701-2821	5201-2801
201-28206	24/4.0	Wet	28-103	5101-2807	5401-2812	76601-001	6601-2821	6101-2821	5701-2821	5201-2802
201-28207	24/4.0	Dry	28-111	5101-2803	5401-2809	76601-001	6601-2822	6101-2821	5701-2821	5201-2802
201-28208	24/4.0	Wet	28-116	5101-2804	5401-2812	76601-001	6601-2821	6101-2821	5701-2821	5201-2802
201-28209	24/4.0	Wet	28-114	5101-2810	5401-2812	76601-001	6601-2821	6101-2821	5701-2821	5201-2802
201-28210	24/4.0	Wet	28-114	5101-2810	5401-2809	76601-001	6601-2821	6101-2821	5701-2821	5201-2802

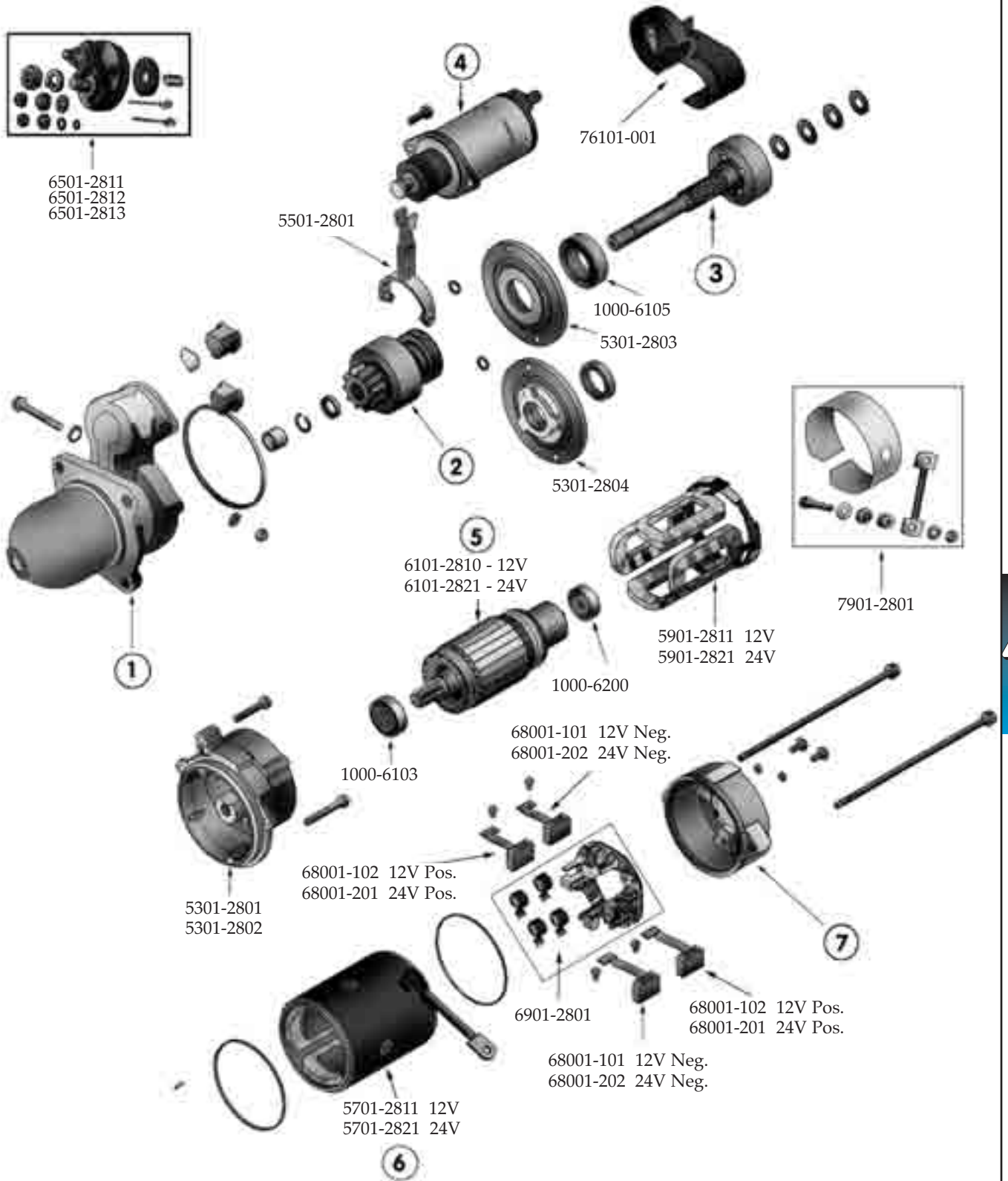
# MINOR SERVICE PARTS



SPD NUMBER	OEM NUMBER	DESCRIPTION
1000-6103	10456461	Deep Groove Ball Bearing - Dbl. Sealed
1000-6105	10456463	Deep Groove Ball Bearing - Dbl. Sealed
1000-6200	10456462	Deep Groove Ball Bearing - Dbl. Sealed
5301-2801	10456469	Center Support Frame - Pad Mount
5301-2802	10457037	Center Support Frame - Flange Mount
5301-2803	10456470	Center Plate - Dry Clutch
5301-2804	10457169	Center Plate - Wet Clutch
5501-2801	10456464	Shift Lever
6501-2811	-	Solenoid Repair Kit - 12 & 24V
6501-2812	-	Solenoid Repair Kit - 12V
6501-2813	-	Solenoid Repair Kit - 12 & 24V
6901-2801	-	Brush Holder Assy. - 12 & 24V
7901-2801	-	Terminal Kit - Field Coil
68001-101	10456457	Brush - 12V - Neg.
68001-102	10456458	Brush - 12V - Pos.
68001-201	10457119	Brush - 24V - Pos.
68001-202	10457120	Brush - 24V - Neg.
76101-001	10473386	Shield - Solenoid

4

# SERVICE PARTS





### 201-28101

**Starter - 2.8 kW -12V**  
 Dry Clutch - CW - 10T  
 Replaces: DELCO REMY  
 1113281, 282, 10465049, 050  
 Refer to Illustration 28-105

### 201-28102

**Starter - 2.8kW - 12V**  
 Dry Clutch - CW - 9T  
 Replaces: DELCO REMY  
 1113286, 10465055  
 Refer to Illustration 28-107

### 201-28103

**Starter - 2.8 kW - 12V**  
 Dry Clutch - CW - 10T  
 Replaces: DELCO REMY  
 1113271  
 Refer to Illustration 28-103

### 201-28104

**Starter - 2.8 kW - 12V**  
 Dry Clutch - CW - 12T  
 Replaces: DELCO REMY  
 1113273, 10465058  
 Refer to Illustration 28-110

### 201-28105

**Starter - 2.8 kW - 12V**  
 Dry Clutch - CW - 10T  
 Replaces: DELCO REMY  
 1113274, 10465044  
 Refer to Illustration 28-110

### 201-28106

**Starter - 2.8 kW - 12V**  
 Dry Clutch - CW - 10T  
 Replaces: DELCO REMY  
 1113276, 10465026, 043, 5399,  
 10479621  
 Refer to Illustration 28-115

### 201-28107

**Starter - 2.8 kW - 12V**  
 Dry Clutch - CW - 10T  
 Replaces: DELCO REMY  
 1113275, 278, 10465045, 046  
 Refer to Illustration 28-115

### 201-28108

**Starter - 2.8 kW - 12V**  
 Dry Clutch - CW - 12T  
 Replaces: DELCO REMY  
 1113279, 280, 10465047, 048,  
 10479606,  
 Refer to Illustration 28-105

### 201-28109

**Starter - 2.8 kW - 12V**  
 Dry Clutch - CW - 9T  
 Replaces: DELCO REMY  
 1113287,10465056, 10479619  
 Refer to Illustration 28-113

### 201-28110

**Starter - 2.8 kW - 12V**  
 Dry Clutch - CW - 10T  
 Replaces: DELCO REMY  
 1113289, 10465148, 10465239  
 Refer to Illustration 28-117

### 201-28111

**Starter - 2.8 kW - 12V**  
 Dry Clutch - CW - 10T  
 Replaces: DELCO REMY  
 1113297, 10465057  
 Refer to Illustration 28-113

### 201-28112

**Starter - 2.8 kW - 12V**  
 Wet Clutch - CW - 10T  
 Replaces: DELCO REMY  
 1113290  
 Refer to Illustration 28-110

### 201-28113

**Starter - 2.8 kW - 12V**  
 Dry Clutch - CW - 10T  
 Replaces: DELCO REMY  
 10479604  
 Refer to Illustration 28-110

### 201-28114

**Starter - 2.8 kW - 12V**  
 Wet Clutch - CW - 10T  
 Replaces: DELCO REMY  
 1113292  
 10465211, 10479624,  
 Refer to Illustration 28-115

### 201-28115

**Starter - 2.8 kW - 12V**  
 Wet Clutch - CW - 10T  
 Replaces: DELCO REMY  
 1113288  
 Refer to Illustration 28-118

### 201-28116

**Starter - 2.8 kW - 12V**  
 Dry Clutch - CW - 10T  
 Replaces: DELCO REMY  
 10479615, 618  
 Refer to Illustration 28-114

### 201-28117

**Starter - 2.8 kW - 12V**  
 Dry Clutch - CW - 10T  
 Replaces: DELCO REMY  
 10465150, 10479614  
 Refer to Illustration 28-119

### 201-28118

**Starter - 2.8 kW - 12V**  
 Wet Clutch - CW - 12T  
 Replaces: DELCO REMY  
 10479613  
 Refer to Illustration 28-111

### 201-28119

**Starter - 2.8 kW - 12V**  
 Wet Clutch - CW - 10T  
 Replaces: DELCO REMY  
 1113285  
 Refer to Illustration 28-114

### 201-28120

**Starter - 2.8 kW - 12V**  
 Wet Clutch - CW - 10T  
 Replaces: DELCO REMY  
 1113293  
 Refer to Illustration 28-109

### 201-28121

**Starter - 2.8 kW - 12V**  
 Dry Clutch - CW - 10T  
 Replaces: DELCO REMY  
 10479607  
 Refer to Illustration 28-111

### 201-28122

**Starter - 2.8 kW - 12V**  
 Dry Clutch - CW - 10T  
 Replaces: DELCO REMY  
 10479628  
 Refer to Illustration 28-104

### 201-28123

**Starter - 2.8 kW - 12V**  
 Wet Clutch - CW - 10T  
 Replaces: DELCO REMY  
 1113283, 10479630,  
 Refer to Illustration 28-103

### 201-28124

**Starter - 2.8 kW - 12V**  
 Dry Clutch - CW - 9T  
 Replaces: DELCO REMY  
 10479620  
 Refer to Illustration 28-108

### 201-28125

**Starter - 2.8 kW - 12V**  
 Dry Clutch - CW -10T  
 Replaces: DELCO REMY  
 1113284  
 Refer to Illustration 28-120

### 201-28126

**Starter - 2.8 kW - 12V**  
 Wet Clutch - CW - 10T  
 Replaces: DELCO REMY  
 10479617  
 Refer to Illustration 28-116

### 201-28127

**Starter - 2.8 kW - 12V**  
 Dry Clutch - CW - 10T  
 Replaces: DELCO REMY  
 1113266, 269, 295,  
 10465013, 053, 168  
 Refer to Illustration 28-101



**201-28128**

**Starter - 2.8 kW - 12V**  
 Dry Clutch - CW - 10T  
 Replaces: DELCO REMY  
 1113267, 270, 296,  
 10465014, 5054  
 Refer to Illustration 28-102

**201-28129**

**Starter - 2.8 kW - 12V**  
 Wet Clutch - CW - 10T  
 Replaces: DELCO REMY  
 10479636  
 Refer to Illustration 28-116

**201-28201**

**Starter - 4.0 kW - 24V**  
 Dry Clutch - CW - 10T  
 Replaces: DELCO REMY  
 1113277  
 Refer to Illustration 28-115

**201-28202**

**Starter - 4.0 kW - 24V**  
 Dry Clutch - CW - 10T  
 Replaces: DELCO REMY  
 10479605  
 Refer to Illustration 28-115

**201-28203**

**Starter - 4.0 kW - 24V**  
 Wet Clutch - CW - 10T  
 Replaces: DELCO REMY  
 1113291  
 Refer to Illustration 28-115

**201-28204**

**Starter - 4.0 kW - 24V**  
 Dry Clutch - CW - 12T  
 Replaces: DELCO REMY  
 10479600  
 Refer to Illustration 28-106

**201-28205**

**Starter - 4.0 kW - 24V**  
 Dry Clutch - CW - 10T  
 Replaces: DELCO REMY  
 10479611  
 Refer to Illustration 28-102

**201-28206**

**Starter - 4.0 kW - 24V**  
 Wet Clutch - CW - 10T  
 Replaces: DELCO REMY  
 1113272  
 Refer to Illustration 28-103

**201-28207**

**Starter - 4.0 kW - 24V**  
 Dry Clutch - CW - 10T  
 Replaces: DELCO REMY  
 10479608, 612,  
 Refer to Illustration 28-111

**201-28208**

**Starter - 4.0 kW - 24V**  
 Wet Clutch - CW - 10T  
 Replaces: DELCO REMY  
 1113294, 10479616,  
 Refer to Illustration 28-116

**201-28209**

**Starter - 4.0 kW - 24V**  
 Wet Clutch - CW - 10T  
 Replaces: DELCO REMY  
 10465405, 10479629, 659,  
 Refer to Illustration 28-114

**201-28210**

**Starter - 4.0 kW - 24V**  
 Wet Clutch - CW - 10T  
 Replaces: CAV  
 CA45F242  
 Refer to Illustration 28-114



**1000-6103**

**Ball Bearing**  
 17mm ID.x35mm OD.x10mm W  
 Replaces: DELCO REMY  
 10456461



**1000-6105**

**Ball Bearing**  
 25mm ID.x47mm OD.x12mm W  
 Replaces: DELCO REMY  
 10456463



**1000-6200**

**Ball Bearing**  
 10mm ID.x30mm OD.x9mm W  
 Replaces: DELCO REMY  
 10456462



**5101-2801**

**D.E.Housing**  
 Replaces: DELCO REMY  
 10456471  
 Used on Starter # 201-28127  
 Refer to Illustration 28-101

**5101-2802**

**D.E.Housing**  
 Replaces: DELCO REMY  
 10456472  
 Used on Starter # 201-28128,  
 205  
 Refer to Illustration 28-102

**5101-2803**

**D.E.Housing**  
 Replaces: DELCO REMY  
 10457030  
 Used on Starter # 201-28104,  
 105, 112, 113, 118, 121, 207,  
 Refer to Illustration 28-110,  
 -111,

**5101-2804**

**D.E.Housing**  
 Replaces: DELCO REMY  
 10457026  
 Used on Starter # 201-28106,  
 107, 114, 126, 129,  
 201, 202, 203, 208  
 Refer to Illustration 28-115, 116

**5101-2805**

**D.E.Housing**  
 Replaces: DELCO REMY  
 10457029  
 Used on Starter # 201-28101,  
 108, 204  
 Refer to Illustration 28-105, 106

**5101-2806**

**D.E.Housing**  
 Replaces: DELCO REMY  
 10457052  
 Used on Starter # 201-28115  
 Refer to Illustration 28-118

**5101-2807**

**D.E.Housing**  
 Replaces: DELCO REMY  
 10457050  
 Used on Starter # 201-28103,  
 123, 206  
 Refer to Illustration 28-103

**5101-2808**

**D.E.Housing**  
 Replaces: DELCO REMY  
 10457031  
 Used on Starter # 201-28102,  
 124  
 Refer to Illustration 28-107, -108

**5101-2809**

**D.E.Housing**

Replaces: DELCO REMY 10457142  
Used on Starter # 201-28117, 125  
Refer to Illustration 28-119, 120

**5101-2810**

**D.E.Housing**

Replaces: DELCO REMY 10457170  
Used on Starter # 201-28116, 119, 209, 210  
Refer to Illustration 28-114

**5101-2811**

**D.E.Housing**

Replaces: DELCO REMY 10457053  
Used on Starter # 201-28110  
Refer to Illustration 28-117

**5101-2812**

**D.E.Housing**

**13mm I.D. Bushing**  
Replaces: DELCO REMY 10457027, 10457172,  
used on Starter # 201-28109  
Refer to Illustration 28-113  
(Similar to 5101-2813 with 13mm I.D. Bushing)

**5101-2813**

**D.E.Housing**

**14mm I.D. Bushing**  
Replaces: DELCO REMY 10457028  
used on Starter # 201-28111  
Refer to Illustration 28-113  
(Similar to 5101-2812 with 14mm I.D. Bushing)

**5101-2814**

**D.E.Housing**

used on Starter # 201-28120  
Refer to Illustration 28-109

**5101-2815**

**D.E.Housing**

Replaces: DELCO REMY 10457265  
used on Starter # 201-28122  
Refer to Illustration 28-104  
(Similar to 5101-2807 but with threaded Boss)



**5201-2801**

**C.E.Frame**

Replaces: DELCO REMY 10456467



**5201-2802**

**C.E.Frame**

Replaces: DELCO REMY 10457036



**5301-2801**

**Center Support Frame**  
Replaces: DELCO REMY 10456469  
Used on Pad Mnt. Starters



**5301-2802**

**Center Support Frame**  
Replaces: DELCO REMY 10457037

Used on Flange Mnt. Starters



**5301-2803**

**Center Plate - Dry Clutch**  
Replaces: DELCO REMY 10456470



**5301-2804**

**Center Plate - Wet Clutch**  
Replaces: DELCO REMY 10457169  
Used with Seal 71201-008



**5401-2803**

**Drive - 10T - 40mm Gear Dia.**  
Wet Clutch  
Used on Starter 201-28101, 105, 107, 110, 111, 112, 115, 119, 120, 121, 125, 129  
Replaces: DELCO REMY 10457057



**5401-2805**

**Drive - 9T - 34mm Gear Dia.**  
Used on Starter 201-28102, 124  
Replaces: DELCO REMY 10457059



**5401-2806**

**Drive - 9T - 29.5mm Gear Dia.**  
Used on Starter 201-28109  
Replaces: DELCO REMY 10457060



**5401-2807**

**Drive - 10T - 32mm Gear Dia.**  
Wet Clutch  
Used on Starter 201-103, 106, 113, 114, 116, 117, 122, 123, 126, 127, 128,  
Replaces: DELCO REMY 10456455, 7056, 167



**5401-2808**

**Drive - 12T - 46.5mm Gear Dia.**  
Wet Clutch  
Used on Starter 201-28104, 108, 118,  
Replaces: DELCO REMY 10457058, 168

5



**5401-2809**  
**Drive - 10T - 40mm Gear Dia.**  
 H.D.Version of 5401-2803  
 Used on Starter 201-28202,  
 207, 210,  
 Replaces: DELCO REMY  
 10457122



**5401-2811**  
**Drive - 12T - 46.5mm Gear Dia.**  
 H.D.Version of 5401-2808  
 Used on Starter 201-28204  
 Replaces: DELCO REMY  
 10457141



**5401-2812**  
**Drive - 10T - 32mm Gear Dia.**  
 H.D.Version of 5401-2807  
 Used on Starter 201-28201, 203,  
 205, 206, 208, 209,  
 Replaces: DELCO REMY  
 10457121



**5501-2801**  
**Shift Lever**  
 Replaces: DELCO REMY  
 10456464



**5701-2811**  
**Field Case Assy.-12V**  
 Replaces: DELCO REMY  
 10456473



**5701-2821**  
**Field Case Assy.-24V**  
 Replaces: DELCO REMY  
 10457118



**5901-2811**  
**Field Coil-12V**



**5901-2821**  
**Field Coil-24V**



**6101-2810**  
**Armature-12V**  
 Replaces: DELCO REMY  
 10456466



**6101-2821**  
**Armature-24V**  
 Replaces: DELCO REMY  
 10457117



**6501-2811**  
**Solenoid Repair Kit - 12V & 24V**  
 3 Term. - M5 - "S" Term.



**6501-2812**  
**Solenoid Repair Kit - 12V**  
 3 Term. - M4 - "S" Term.



**6501-2813**  
**Solenoid Repair Kit - 12V & 24V**  
 4 Term. - M5 "S" Term.  
 M5 "R" Term.  
 Jump Start Protected



**6601-2811**

**Solenoid - 12V**

3 Term. - M5 - "S" Term.  
Replaces: DELCO REMY  
10457055



**6601-2822**

**Solenoid - 24V**

3 Term. - M5 - "S" Term.  
Replaces: DELCO REMY  
10457116



**68001-101**

**Brush - Grd.-12V**

25mm W x 7.5mm Tk x  
18.5mm L  
Replaces: DELCO REMY  
10456457



**76101-001**

**Shield-Solenoid**

Replaces: DELCO REMY  
10473386



**6601-2812**

**Solenoid - 12V**

3 Term. - M4 - "S" Term.  
Replaces: DELCO REMY  
10456454



**6901-2801**

**Brush Holder Assy.**

12V & 24V  
Replaces: DELCO REMY  
10456456



**68001-102**

**Brush - Pos.-12V**

25mm W x 7.5mm Tk x  
18.5mm L  
Replaces: DELCO REMY  
10456458



**76601-001**

**Drive Shaft**

14mm O.D. x 172mm L  
Replaces: DELCO REMY  
10457032



**6601-2813**

**Solenoid - 12V**

4 Term.  
M5 "S" Term. & M5 "R" Term.  
Jump Start Protected  
Replaces: DELCO REMY  
10457061, 10457151



**7901-2801**

**Terminal Kit-Field Coil**



**68001-201**

**Brush - Pos.-24V**

25mm W x 7.5mm Tk x  
18.5mm L  
Replaces: DELCO REMY  
10457119



**76601-002**

**Drive Shaft**

13mm O.D. x 172mm L  
Replaces: DELCO REMY  
10457033



**6601-2821**

**Solenoid - 24V**

4 Term.  
M5 "S" Term. & M5 "R" Term.  
Jump Start Protected  
Replaces: DELCO REMY  
10457115, 10457152



**7901-2811**

**Repair Kit - 12V**



**68001-202**

**Brush - Grd.-24V**

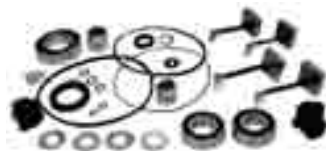
25mm W x 7.5mm Tk x  
18.5mm L  
Replaces: DELCO REMY  
10457120



**76601-003**

**Drive Shaft**

14mm O.D. x 165mm L  
Replaces: DELCO REMY  
10456468



**7901-2821**

**Repair Kit - 24V**






5

--	--	--	--

# BOSCH - REPLACEMENT GUIDE *dixie*





<p><b>BOSCH</b></p> <p>0-001-358-041 0-001-359-016 0-001-359-090 0-001-362-312 0-001-362-316 0-001-367-075 0-001-369-001 0-001-369-005</p>	<p><b>JOHN DEERE</b></p> <p>AL39700 AL41247 AL62690 AL62772 AL78760 AR70436 AT23401 TY6615 TY6720</p>	<p><b>Application:</b> JOHN DEERE</p>  <p>12V, CW, D/D, 10T, 32mm Gear Dia.</p>	<p><b>Replace with</b></p>  <p>10T, 32mm Gear Dia. 12V <b>201-28103</b> <sup>▲</sup></p> <p>Refer to Illustration 28-103</p>
<p><b>BOSCH</b></p> <p>0-001-367-054</p>	<p><b>HYSTER</b></p> <p>3042511</p>	<p><b>Application:</b> HYSTER W/PERKINS ENG.</p>  <p>12V, CW, D/D, 10T, 40mm Gear Dia.</p>	<p><b>Replace with</b></p>  <p>10T, 40mm Gear Dia. 12V <b>201-28101</b> <sup>▲</sup></p> <p>Refer to Illustration 28-105</p>
<p><b>BOSCH</b></p> <p>0-001-359-095 0-001-367-070</p>	<p><b>RENAULT</b></p> <p>50 10 090 371</p>	<p><b>Application:</b> MACK, RENAULT</p>  <p>12V, CW, D/D, 10T, 40mm Gear Dia.</p>	<p><b>Replace with</b></p>  <p>10T, 40mm Gear Dia. 12V <b>201-28110</b> <sup>▲</sup></p> <p>Refer to Illustration 28-117</p>

<sup>▲</sup> Unit is different in appearance, but interchangeable. Please refer to the respective Illustrations.

<p>BOSCH</p> <p>0-001-367-063</p>		<p><b>Application:</b> PERKINS ENG.</p>  <p>12V, CW, D/D, 10T, 40mm Gear Dia.</p>	<p><b>Replace with</b></p>  <p>10T, 40mm Gear Dia.</p> <p>12V <b>201-28115</b> • ▲</p> <p>Refer to Illustration 28-120</p>
<p>BOSCH</p> <p>0-001-354-107 0-001-359-035 0-001-359-045 0-001-359-059 0-001-362-310 0-001-367-003 0-001-367-036</p>		<p><b>Application:</b> DRESSER, IH</p>  <p>12V, CW, D/D, 10T, 40mm Gear Dia.</p>	<p><b>Replace with</b></p>  <p>10T, 40mm Gear Dia.</p> <p>12V <b>201-28125</b> • ▲</p> <p>Refer to Illustration 28-120</p>
<p>BOSCH</p> <p>0-001-362-016 0-001-362-034 0-001-362-305 0-001-362-313 0-001-369-014</p>		<p><b>Application:</b> BOMAG, KHD</p>  <p>12V, CW, D/D, 9T, 34mm Gear Dia.</p>	<p><b>Replace with</b></p>  <p>9T, 34mm Gear Dia.</p> <p>12V <b>201-28102</b> ▲</p> <p>Refer to Illustration 28-107</p>







• Oil sealed.

▲ Unit is different in appearance, but interchangeable. Please refer to the respective Illustrations.

<p><b>CAV</b></p> <p>1320-023 1320-027 1320-510 1320-513 1320-720 1320F027 1320F720 1320G720 1321F022 (24V) 1321G022 (24V)</p>	<p><b>CAV</b></p> <p>CA45C122 CA45C1251 CA45D122 CA45D1251 CA45D1272 CA45F242 (24V) CA45F12Y2 CA45F12Y51 CA45F12Y72 CA45G242 (24V) CA45G1272</p>	<p><b>Application:</b> ALLIS CHALMERS, IHC, MASSEY-FERGUSON, MILLER ELECTRIC, ALL W/PERKINS ENG.</p>  <p>12V, CW, D/D, 10T, 40mm Gear Dia. 24V, CW, D/D, 10T, 40mm Gear Dia.</p>	<p><b>Replace with</b></p>  <p>10T, 40mm Gear Dia. 12V <b>201-28119</b> • <sup>Δ</sup> 24V <b>201-28210</b> • <sup>Δ</sup> Refer to Illustration 28-114</p>
<p><b>DELCO REMY</b></p> <p>1113590 1998401</p>		<p><b>Application:</b> CHEVROLET &amp; GMC TRUCKS</p>  <p>12V, CW, D/D, 20-27MT, 10T, 32mm Gear Dia.</p>	<p><b>Replace with</b></p>  <p>10T, 32mm Gear Dia. 12V <b>201-28127</b> <sup>Δ</sup> Refer to Illustration 28-101</p>
<p><b>DELCO REMY</b></p> <p>1109219 1109563 1113589 1998442 10465170 10497165</p>		<p><b>Application:</b> CHEVROLET &amp; GMC TRUCKS</p>  <p>12V, CW, D/D, 20-27MT, 10T, 32mm Gear Dia.</p>	<p><b>Replace with</b></p>  <p>10T, 32mm Gear Dia. 12V <b>201-28128</b> <sup>Δ</sup> 10T, 32mm Gear Dia. 24V <b>201-28205</b> <sup>Δ</sup> Refer to Illustration 28-102</p>

• Oil sealed.







<sup>Δ</sup> Unit is different in appearance, but interchangeable. Please refer to the respective Illustrations.

<p>DELCO REMY</p> <p>1107577 1107599 1107863 1107871 1109208 1109251 1109265 1998346 1998364 1998367 1998519 10496885</p>	<p>JOHN DEERE</p> <p>AR25619 AR66424 AT18150 AT25619 TY1458 TY6614 TY6620 TY6702</p>	<p><b>Application:</b> BOBCAT, JOHN DEERE</p>  <p>12V, CW, D/D, 20-27MT, 10T, 32mm Gear Dia. 24V, CW, D/D, 20-27MT, 10T, 32mm Gear Dia.</p>	<p><b>Replace with</b></p>  <p>10T, 32mm Gear Dia. 12V <b>201-28103</b> <sup>Δ</sup> 12V <b>201-28123</b> • <sup>Δ</sup> 24V <b>201-28206</b> • <sup>Δ</sup> Refer to Illustration 28-103</p>
<p>DELCO REMY</p> <p>1107514 1107539 1107567 1107581 1107587 1107866 1107872 1108648 1109198 1109253 1109261 1109263 1109272 1998330 1998334 1998338</p>	<p>DELCO REMY</p> <p>1998342 1998376 1998378 1998394 1998420 1998480 10496886</p>	<p><b>Application:</b> ALLIS CHALMERS, CASE, CLARK, BOBCAT, DEUTZ, DMT, HYSTER, IHC, MASSEY FERGUSON, NEW HOLLAND, PERKINS, TOWMOTOR, VERSATILE, WAUKESHA, WHITE FARM</p>  <p>12V, CW, D/D, 20-27MT, 10T, 40mm Gear Dia. 12V&amp;24V, CW, D/D, 20-27MT, 12T, 46mm Gear Dia.</p>	<p><b>Replace with</b></p>  <p>10T, 40mm Gear Dia. 12V <b>201-28101</b> <sup>Δ</sup> 12T, 46.5mm Gear Dia. 12V <b>201-28108</b> <sup>Δ</sup> 12T, 46.5mm Gear Dia. 24V <b>201-28204</b> * <sup>Δ</sup> Refer to Illustration 28-105/106</p>
<p>DELCO REMY</p> <p>1109496 1998380 10497171</p>		<p><b>Application:</b> DEUTZ-ALLIS, DEUTZ-FAHR</p>  <p>12V, CW, D/D, 20-27MT, 9T, 33.5mm Gear Dia.</p>	<p><b>Replace with</b></p>  <p>9T, 34mm Gear Dia. 12V <b>201-28102</b> <sup>Δ</sup> Refer to Illustration 28-107</p>

• Oil sealed.



\* with "R" Terminal

<sup>Δ</sup> Unit is different in appearance, but interchangeable. Please refer to the respective Illustrations.

<p>DELCO REMY</p> <p>1107557 1107582 1998337</p>	<p>HYSTER</p> <p>3001265</p>	<p><b>Application:</b> Hyster</p>  <p>12V, CW, D/D, 20-27MT, 10T, 40mm Gear Dia.</p>	<p><b>Replace with</b></p>  <p>10T, 40mm Gear Dia. 12V <b>201-28120</b> • ▲</p> <p>Refer to Illustration 28-109</p>
<p>DELCO REMY</p> <p>1107540 1107588 1107592 1108644 1108692 1108697 1109189 1109258 1109269 1109258 1113597 1113598 1998339 1998340 1998347 1998350 1998357</p>	<p>DELCO REMY</p> <p>1998373 1998446 1998455 1998468 1998484</p>	<p><b>Application:</b> BOBCAT, FORD NEW HOLLAND, HYSTER, LISTER-PETTER, PERKINS ENG.</p>  <p>12V, CW, D/D, 20-27MT, 10T, 40mm Gear Dia. 12V, CW, D/D, 20-27MT, 12T, 46mm Gear Dia.</p>	<p><b>Replace with</b></p>  <p>12T, 46.5mm Gear Dia. 12V <b>201-28104</b> ▲ 10T, 40mm Gear Dia. 12V <b>201-28105</b> ▲ 10T, 40mm Gear Dia. 12V <b>201-28112</b> • ▲</p> <p>Refer to Illustration 28-110</p>
<p>DELCO REMY</p> <p>1109548 1998384</p>		<p><b>Application:</b> TELEDYNE</p>  <p>12V, CW, D/D, 20-27MT, 9T, 29mm Gear Dia.</p>	<p><b>Replace with</b></p>  <p>9T, 29.5mm Gear Dia. 12V <b>201-28109</b> ▲</p> <p>Refer to Illustration 28-113</p>







• Oil sealed.

▲ Unit is different in appearance, but interchangeable. Please refer to the respective Illustrations.

<p>DELCO REMY 1113599</p>		<p><b>Application:</b> MILLER</p>  <p>12V, CW, D/D, 20-27MT, 10T, 40mm Gear Dia.</p>	<p><b>Replace with</b></p>  <p>10T, 40mm Gear Dia. 12V <b>201-28111</b> <sup>▲</sup> Refer to Illustration 28-113</p>
<p>DELCO REMY 1109192 1109194 1109539 1998359 1998360 1998379</p>		<p><b>Application:</b> BOBCAT</p>  <p>12V, CW, D/D, 20-27MT, 10T, 40mm Gear Dia.</p>	<p><b>Replace with</b></p>  <p>10T, 40mm Gear Dia. 12V <b>201-28119</b> • <sup>▲</sup> Refer to Illustration 28-114</p>
<p>DELCO REMY 1107580 1107589 1108698 1109144 1109252 1109542 1109550 1113593 1113594 1998336 1998368 1998383 1998387 1998408 1998423 1998456 1998457 1998459</p>	<p>DELCO REMY 1998479 1998481 1998488 1998490 1998522 10465149 10496881 10496882 10496883 10496884</p> <p>FORD E3TF-11000AA E3TZ-11001-B E3TZ-11002-B E4TF-11000-A E4TF-11000AA</p>	<p><b>Application:</b> ALLIS CHALMERS, BOBCAT, CUMMINS ENG., DMT, DRESSER IND., FORD, VERSATILE, WHITE FARM</p>  <p>12V&amp;24V, CW, D/D, 20-27MT, 10T-32mm Gear Dia. 12V, CW, D/D, 20-27MT, 10T, 40mm Gear Dia.</p>	<p><b>Replace with</b></p>  <p>10T, 32mm Gear Dia. 12V <b>201-28106</b> <sup>▲</sup> 10T, 32mm Gear Dia. 12V <b>201-28114</b> • <sup>▲</sup> 10T, 40mm Gear Dia. 12V <b>201-28107</b> <sup>▲</sup> 10T, 32mm Gear Dia. 24V <b>201-28201</b> <sup>▲</sup> 10T, 32mm Gear Dia. 24V <b>201-28203</b> • <sup>▲</sup> Refer to Illustration 28-115</p>







• Oil sealed.

▲ Unit is different in appearance, but interchangeable. Please refer to the respective Illustrations.

<p>DELCO REMY</p> <p>1988709 1998418 10461070</p>		<p><b>Application:</b> MACK</p>  <p>12V, CW, D/D, 20-27MT, 10T, 40mm Gear Dia</p>	<p><b>Replace with</b></p>  <p>10T, 40mm Gear Dia. 12V <b>201-28110</b> <sup>▲</sup></p> <p>Refer to Illustration 28-117</p>
<p>DELCO REMY</p> <p>1108696 1109540 1998349 1998389</p>		<p><b>Application:</b> CLARK, PERKINS ENG.</p>  <p>12V, CW, D/D, 20-27MT, 10T, 40mm Gear Dia.</p>	<p><b>Replace with</b></p>  <p>10T, 40mm Gear Dia. 12V <b>201-28115</b> • <sup>▲</sup></p> <p>Refer to Illustration 28-118</p>
<p>DELCO REMY</p> <p>1107867 1109270 1998343</p>		<p><b>Application:</b> IH, INTERNATIONAL</p>  <p>12V, CW, D/D, 20-27MT, 10T, 40mm Gear Dia.</p>	<p><b>Replace with</b></p>  <p>10T, 40mm Gear Dia. 12V <b>201-28125</b> <sup>▲</sup></p> <p>Refer to Illustration 28-120</p>

• Oil sealed.

<sup>▲</sup> Unit is different in appearance, but interchangeable. Please refer to the respective Illustrations.







<p>DENSO</p> <p>028000-8400 028000-8401 028000-8402 028000-8403</p>	<p>JOHN DEERE</p> <p>RE19275 RE49033 RE54092 TY6719 TY6688</p>	<p><b>Application:</b> JOHN DEERE</p>  <p>12V, CW, G/R, 11T, 34.5mm Gear Dia.</p>	<p><b>Replace with</b></p>  <p>10T, 32mm Gear Dia. 12V <b>201-28123</b> <sup>▲</sup> Refer to Illustration 28-103</p>
<p>DENSO</p> <p>028000-5880 028000-5881</p>	<p>CUMMINS</p> <p>3604648 3604654</p> <p>CASE</p> <p>A39341 R39341</p>	<p><b>Application:</b> CUMMINS, CASE</p>  <p>12V, CW, G/R, 13T, 39.5mm Gear Dia.</p>	<p><b>Replace with</b></p>  <p>10T, 32mm Gear Dia. 12V <b>201-28114</b> • <sup>▲</sup> Refer to Illustration 28-115</p>
<p>DENSO</p> <p>228000-6400</p>	<p>CASE</p> <p>4500732R91 596493R92</p> <p>BOBCAT</p> <p>6651210 6651258</p>	<p><b>Application:</b> BOBCAT, CASE</p>  <p>12V, CW, D/D, 10T, 40.5mm Gear Dia.</p>	<p><b>Replace with</b></p>  <p>10T, 40mm Gear Dia. 12V <b>201-28101</b> <sup>▲</sup> Refer to Illustration 28-105</p>

• Oil sealed.

<sup>▲</sup> Unit is different in appearance, but interchangeable. Please refer to the respective Illustrations.

<p>ISKRA</p> <p>11.130.534 AZJ-3158</p>	<p>JOHN DEERE</p> <p>AR70436</p>	<p><b>Application:</b> JOHN DEERE</p>  <p>12V, CW, D/D, 10T, 32mm Gear Dia.</p>	<p><b>Replace with</b></p>  <p>10T, 32mm Gear Dia. 12V <b>201-28103</b> <sup>Δ</sup></p> <p>Refer to Illustration 28-103</p>
<p>LEECE-NEVILLE</p> <p>4503ME</p>	<p>FORD</p> <p>F7HT-11001-EA F7HZ-11002-EA SA-846</p>	<p><b>Application:</b> FORD TRUCK w/CUMMINS FD-1060 5.9L DIESEL ENG., w/MANUAL TRANSMISSION</p>  <p>12V, CW, D/D, 3.5kW, 10T, 32mm O.D.</p>	<p><b>Replace with</b></p>  <p>10T, 32mm Gear Dia. 12V 2.8 kW <b>201-28117</b> <sup>Δ</sup></p> <p>Refer to Illustration 28-119</p>
<p>LEECE-NEVILLE</p> <p>4502ME</p>	<p>FORD</p> <p>F7HT-11001-FA F7HZ-11002-FA SA-847</p>	<p><b>Application:</b> FORD TRUCK w/CUMMINS FD-1060 5.9L DIESEL ENG., w/AUTOMATIC TRANSMISSION</p>  <p>12V, CW, D/D, 3.5kW, 10T, 32mm O.D.</p>	<p><b>Replace with</b></p>  <p>10T, 32mm Gear Dia. 12V 2.8 kW <b>201-28116</b> <sup>Δ</sup></p> <p>Refer to Illustration 28-114</p>

<sup>Δ</sup> Unit is different in appearance, but interchangeable. Please refer to the respective Illustrations.

<p>LUCAS</p> <p>26336 26336D 26336H 26428 26433 27508 27556 27575 27586</p>		<p><b>Application:</b> IH, PERKINS ENG.</p>  <p>12V, CW, D/D, 10T, 40mm Gear Dia.</p>	<p><b>Replace with</b></p>  <p>10T, 40mm Gear Dia. 12V <b>201-28125</b> <sup>▲</sup></p> <p>Refer to Illustration 28-120</p>
<p>MITSUBISHI</p> <p>M3T90071 M3T90072</p>	<p>FORD</p> <p>E5TF-11000-AA E5TF-11001-AA E5TZ-11002-B E8TF-11000-AA E8TZ-11002-A F3TU-11000-AA</p>	<p><b>Application:</b> FORD TRUCK</p>  <p>12V, CW, D/D, 13T, 40mm Gear Dia.</p>	<p><b>Replace with</b></p>  <p>10T, 32mm Gear Dia. 12V <b>201-28106</b> <sup>▲</sup></p> <p>Refer to Illustration 28-115</p>
<p>MITSUBISHI</p> <p>M8T50171</p>	<p>FORD</p> <p>F4PU-11000-AA F4TZ-11002-B</p>	<p><b>Application:</b> FORD TRUCK</p>  <p>12V, CW, D/D, 12T, 37mm Gear Dia.</p>	<p><b>Replace with</b></p>  <p>10T, 32mm Gear Dia. 12V <b>201-28106</b> <sup>▲</sup></p> <p>Refer to Illustration 28-115</p>

<sup>▲</sup> Unit is different in appearance, but interchangeable. Please refer to the respective Illustrations.

# MEDIUM DUTY STARTER MOTORS 28MT Series

Cat.No.: 9801-28MT-000

In our efforts to provide the best possible catalogues we encourage your participation.

Please submit any information that may assist us in improving this catalogue.

For example:

- Any suggestions you may have for changes or additions.
- Unit consolidation or substitutions.
- If you find any



We appreciate your comments and suggestions. Please use one of the attached "CUSTOMER REPLY CARD", fill in the information and mail.

POSTAGE  
STAMP

CUSTOMER REPLY CARD

DIXIE ELECTRIC LTD.  
Attn. Publication Department  
517 Basaltic Road  
Concord, Ontario  
L4K 4W8  
Canada

POSTAGE  
STAMP

CUSTOMER REPLY CARD

DIXIE ELECTRIC LTD.  
Attn. Publication Department  
517 Basaltic Road  
Concord, Ontario  
L4K 4W8  
Canada



MEDIUM DUTY STARTER MOTORS  
CATALOGUE NO. 9801-28MT-000

Your name \_\_\_\_\_  
Company \_\_\_\_\_  
Address \_\_\_\_\_  
Province / State \_\_\_\_\_ Country \_\_\_\_\_ City \_\_\_\_\_  
Zip / Postal Code \_\_\_\_\_

COMMENTS:

---

---

---

---

---

---

---

---

---

---



MEDIUM DUTY STARTER MOTORS  
CATALOGUE NO. 9801-28MT-000

Your name \_\_\_\_\_  
Company \_\_\_\_\_  
Address \_\_\_\_\_  
Province / State \_\_\_\_\_ Country \_\_\_\_\_ City \_\_\_\_\_  
Zip / Postal Code \_\_\_\_\_

COMMENTS:

---

---

---

---

---

---

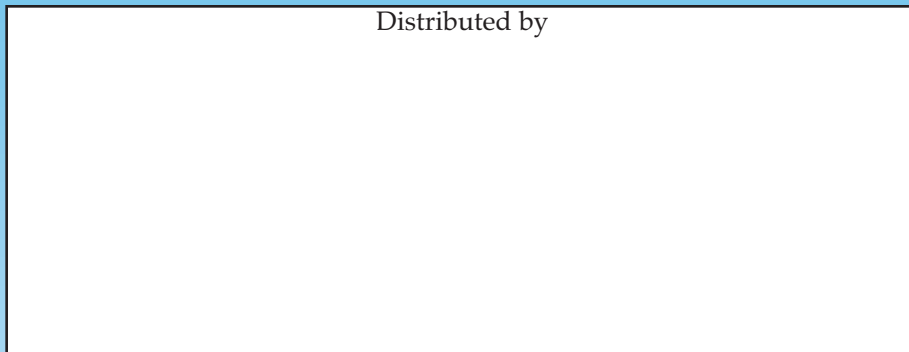
---

---

---

---

Distributed by



**Dixie Electric Ltd.**

517 Basaltic Road, Concord, Ontario  
Canada L4K 4W8

Tel.: (905) 879-0533 U.S. 800-563-3933

Fax: (905) 879-0532

E-Mail: [sales@dixie-mail.com](mailto:sales@dixie-mail.com)

Web Site: [www.dixie-electric.com](http://www.dixie-electric.com)

**Dixie Electric Inc.**

15300-25<sup>th</sup> Ave. N., Minneapolis, MN.  
U.S.A. 55447-1993

Tel.: (612) 557-5772 800-478-0608

Fax: (612) 557-5138 800-392-8719

E-Mail: [mn.sales@dixie-mail.com](mailto:mn.sales@dixie-mail.com)

Web Site: [www.dixie-electric.com](http://www.dixie-electric.com)



Printed in Canada

