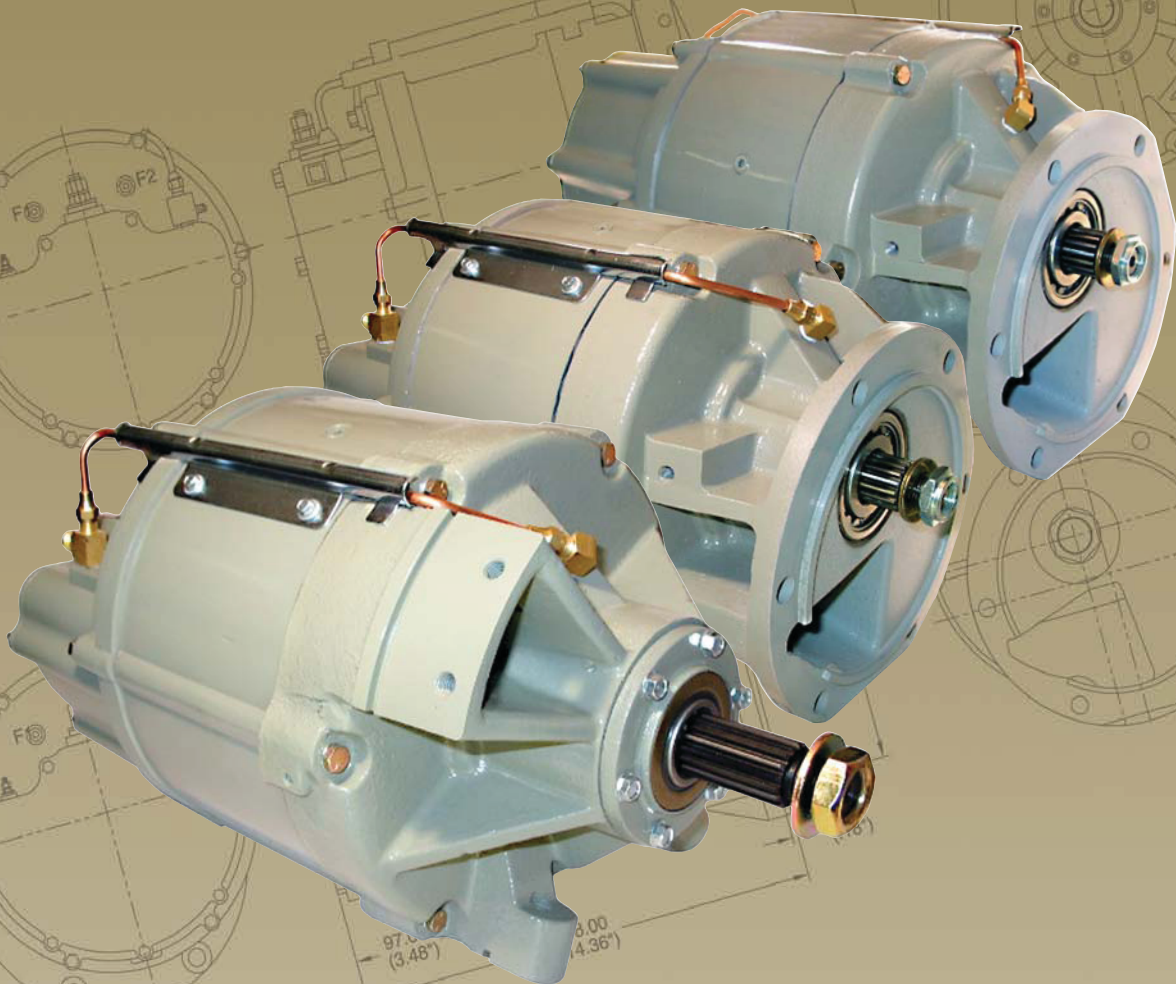




Dixie Electric Ltd.

# BUS AND COACH

## ALTERNATORS 50DN SERIES





**QUALITY  
PART NUMBER SUFFIX  
CROSS REFERENCE**  
PAGES: 2 TO 3

SECTION

1

**BELT DRIVE, GEAR DRIVE  
OUTLINE SPECIFICATIONS  
AND SERVICE PARTS**  
PAGES: 4 TO 7

SECTION

2

**BUYER'S GUIDE**  
PAGES: 8 TO 16

SECTION

3



Our goal is to continuously provide our customers with high quality remanufactured and new products that perform at original equipment specification and deliver long service life.

*Dixie Electric* products are 100% tested and inspected in accordance with the highest standards in our industry.

Every unit has its own unique serial number and is accompanied by a printed performance test tag.

### Test Tag Sample



QMI  
90 Burnhamthorpe Road West, Suite 300  
Mississauga, Ontario, Canada L5B 3C3  
Telephone: (905) 272-3920  
Facsimile: (905) 272-3942  
A Division of CSA International

## CERTIFICATE OF REGISTRATION

QMI issues this certificate to:

**DIXIE ELECTRIC LTD.**  
517 Basaltic Road  
Concord, Ontario  
L4K 4W8 Canada

which has demonstrated that its quality system is in compliance with:

**ISO 9002-1994**

The following scope of registration applies:

Dixie remanufactures and manufactures alternators and starters and their components for automotive, industrial, farm and marine applications.

Certificate Number: CC0231-003781  
SIC Numbers: 5013, 3612, 3677  
Date of Original Registration: September 29, 1998  
Date of Current Registration: September 29, 1998  
Date Registration Expires: September 29, 2001



*Catherine Neville*  
Catherine Neville  
President



101-50213  
**24V 270A N**  
1.0001.000

Alternator test sequence:		Results:
Maximum output power		7252 Watts ±
Maximum output under full load		296 Amps ±
Turn on speed (or indicator lamp out)		1080 RPM ±
Field current		7.0 Amps ±
Stator output measured @ 24.5 volts		12.2 Volts ±
Leakage current tested @ 24 volts		0.0 mAmps ±
Ripple voltage @ maximum output		6.92 Volts ±

Output current tested at 24.5 volts

Alternator RPM	1800	2000	3000	4000	5000	6000
Ampereage	195	217	265	283	290	294

Performance curve

*Externally regulated alternator!*

## PART NUMBER SUFFIX

- 101-50213 w/o suffix = **New**  
*(outright program)*
- 101-50213-1 = **Reman/rewound**  
*(exchange program)*
- 101-50213-2 = **Remanufactured**  
*(outright program)*
- 101-50213-3 = **Rewound component**  
*(outright program)*



# CROSS REFERENCE

Original Number	Dixie Number	Page No.	Original Number	Dixie Number	Page No.	Original Number	Dixie Number	Page No.
<b>DELCO REMY</b>			<b>DELCO REMY</b>			<b>DELCO REMY</b>		
1117661	101-50107	8	1117863	101-50213	8	10457638	2701-5021	10
1117665	101-50107	8	1117864	101-50213	8	10457639	2701-5023	10
1117667	101-50107	8	1117866	101-50212	8	10457640	2701-5011	9
1117670	101-50107	8	1117867	101-50214	8	10457641	2701-5013	9
1117672	101-50105	8	1117877	101-50105	8	10457642	2901-5010	10
1117677	101-50107	8	1117878	101-50213	8	10457643	2901-5020	11
1117678	101-50107	8	1117879	101-50213	8	10457698	3501-5013	11
1117680	101-50105	8	1118437	3501-5022	11	10457699	3501-5024	11
1117681	101-50107	8	1118443	3501-5012	11	10457787	4901-5005	13
1117682	101-50107	8	1118447	3501-5023	11	10457788	4901-5008	14
1117683	101-50105	8	1875993	2901-5010	10	10457789	4901-5009	14
1117684	101-50107	8	1875997	2801-5001	10	10457790	4901-5010	15
1117689	101-50214	8	1876003	2701-5020	10	10457791	4901-5014	16
1117690	101-50107	8	1892576	2701-5022	10	10457792	4901-5012	15
1117691	101-50107	8	1892884	2901-5020	11	10457793	4901-5011	15
1117692	101-50214	8	1894501	2901-5010	10	10457794	4901-5004	13
1117693	101-50213	8	1894867	3201-5000	11	10457795	4901-5013	15
1117695	101-50214	8	1941002	2801-5001	10	10459032	101-50214	8
1117699	101-50107	8	1941010	2901-5010	10	10459033	101-50213	8
1117700	101-50214	8	1941018	2701-5010	9	10459034	101-50212	8
1117701	101-50107	8	1946568	2901-5010	10	10459060	101-50214	8
1117702	101-50214	8	1956305	2101-5002	9	10459112	2901-5020	11
1117703	101-50214	8	1956306	2701-5020	10	10459114	101-50105	8
1117704	101-50106	8	1956315	2801-5002	10	10459121	101-50212	8
1117705	101-50212	8	1964000	2701-5010	9	10459122	101-50214	8
1117706	101-50214	8	1964531	2701-5012	9	10459123	101-50213	8
1117707	101-50213	8	1969312	2701-5010	10	10459124	101-50214	8
1117708	101-50213	8	1975942	2901-5020	11	10459125	101-50212	8
1117709	101-50105	8	1975943	2901-5010	9	10459126	101-50214	8
1117710	101-50107	8	1975948	2901-5010	10	10459127	101-50213	8
1117739	101-50213	8	1975949	2901-5010	10	10459128	101-50214	8
1117740	101-50212	8	1976516	2201-5001	9	10459129	101-50212	8
1117748	101-50212	8	1977339	3501-5024	11	10459130	101-50213	8
1117749	101-50212	8	1984397	2701-5012	9	10459131	101-50214	8
1117790	101-50212	8	1986085	3501-5013	11	10459297	101-50106	8
1117791	101-50212	8	1987399	2701-5021	10	10459298	101-50107	8
1117792	101-50214	8	1988063	4901-5003	12	10459299	101-50105	8
1117793	101-50107	8	1988064	4901-5001	12	10467636	2801-5001	10
1117794	101-50214	8	1988304	2701-5010	9	10467637	2801-5002	10
1117795	101-50212	8	1988306	2701-5022	10	10471558	2701-5010	9
1117797	101-50212	8	1988307	2101-5002	9	10471607	2701-5020	10
1117799	101-50213	8	1989408	2701-5012	9	10471614	2901-5020	11
1117850	101-50214	8	1989461	2101-5003	9	10471622	2701-5022	10
1117851	101-50212	8	1989462	2101-5003	9	10471627	2901-5010	10
1117852	101-50213	8	9000551	3501-5011	11	10471646	2701-5012	10
1117853	101-50213	8	9000573	3501-5022	11	10487568	2701-5023	10
1117854	101-50107	8	9000597	3501-5021	11	10487571	2701-5020	10
1117855	101-50106	8	10456496	101-50107	8	10499307	2701-5013	9
1117856	101-50212	8	10456497	101-50106	8	19020402	3501-5024	11
1117857	101-50107	8	10456498	101-50105	8	19020403	3501-5013	11
1117858	101-50214	8	10457148	4901-5007	14	19020404	3501-5024	11
1117859	101-50212	8	10457239	4901-5006	14			
1117860	101-50105	8	10457571	2701-5021	10			
1117861	101-50212	8	10457636	2801-5001	10			
1117862	101-50214	8	10457637	2801-5002	10			

1

# OUTLINE SPECIFICATIONS



## DELCO 12V

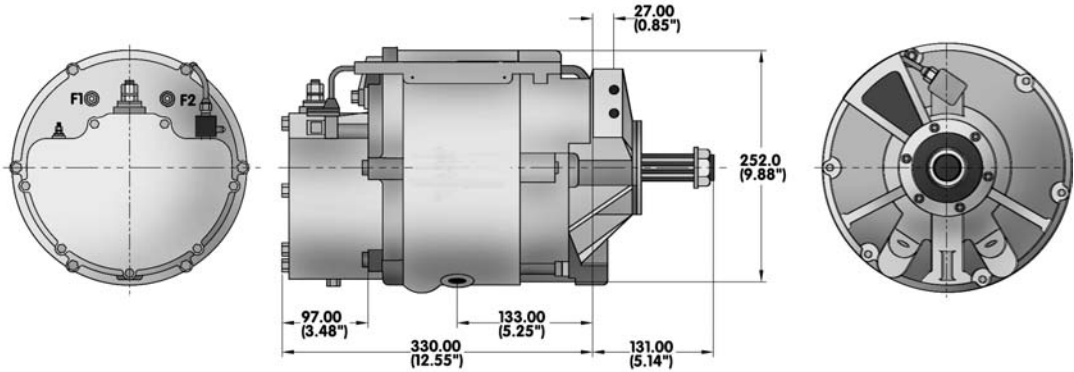
1117672  
1117680, 683  
1117709  
1117860, 877  
10456498

Illustration  
50-001



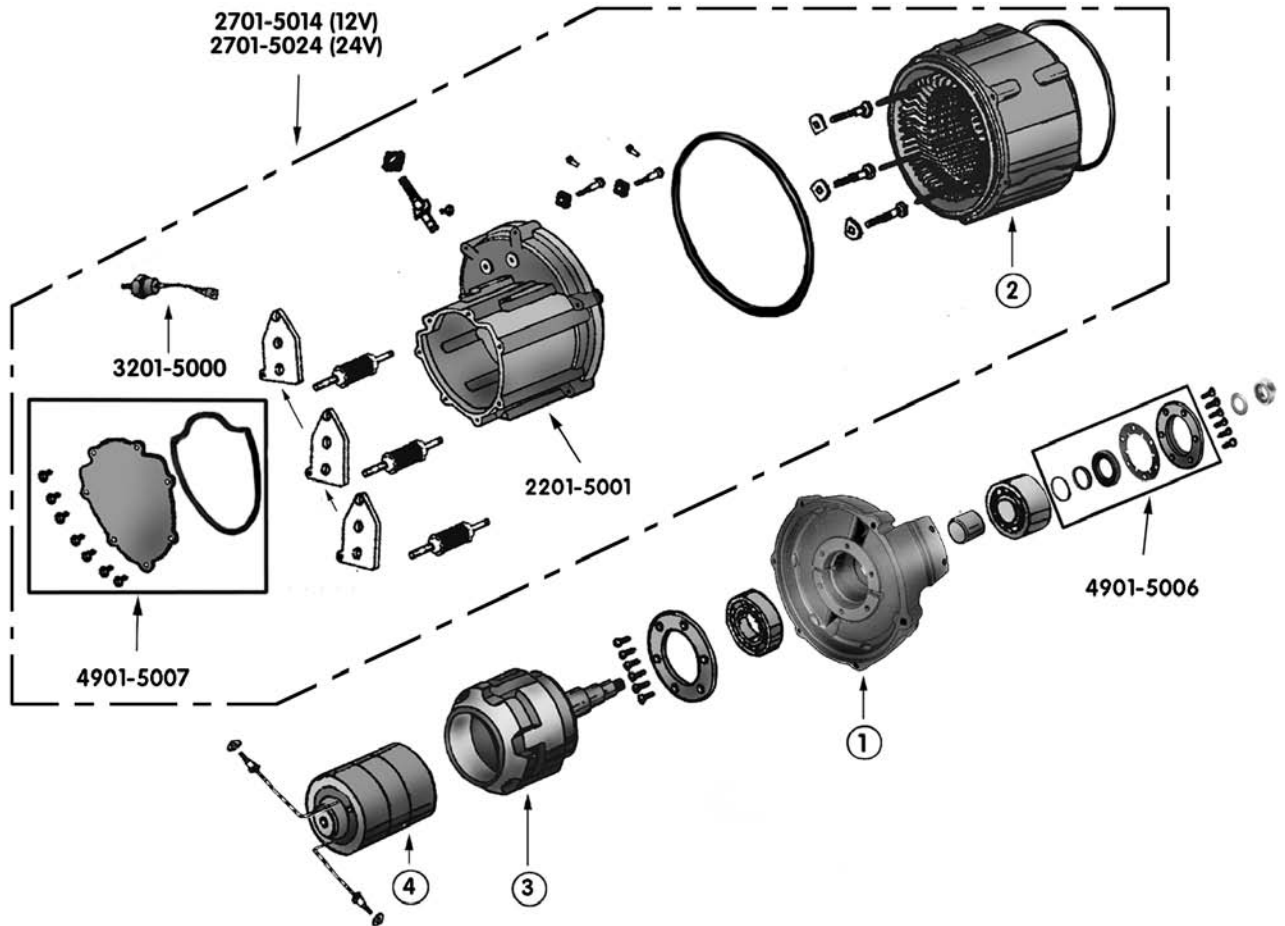
## DELCO 24V

1117693  
1117707, 708  
1117739, 799  
1117852, 853  
1117863, 864  
1117878, 879  
10459033  
10459123, 127, 130



**101-50105** ▼ 12V, 300A, Belt Drive

**101-50213** ▼ 24V, 270A, Belt Drive



Alternator	Stator, Frame & Coil Assy.	1 DE Housing	2 Stator	3 Rotor	4 Coil	Repair Kits				
						4901-5003	4901-5005	4901-5008	4901-5009	4901-5010
101-50105 ▼	2701-5014 ▼	2101-5002	2701-5013 ▼	2801-5002	2901-5010 ▼	X	X	X	X	X
101-50213 ▼	2701-5024 ▼	2101-5002	2701-5023 ▼	2801-5002	2901-5020 ▼	X	X	X	X	X

▼ For REMAN/REWOUND exchange program add suffix "-1" to part no.. For other programs see "Suffix" on page 2.

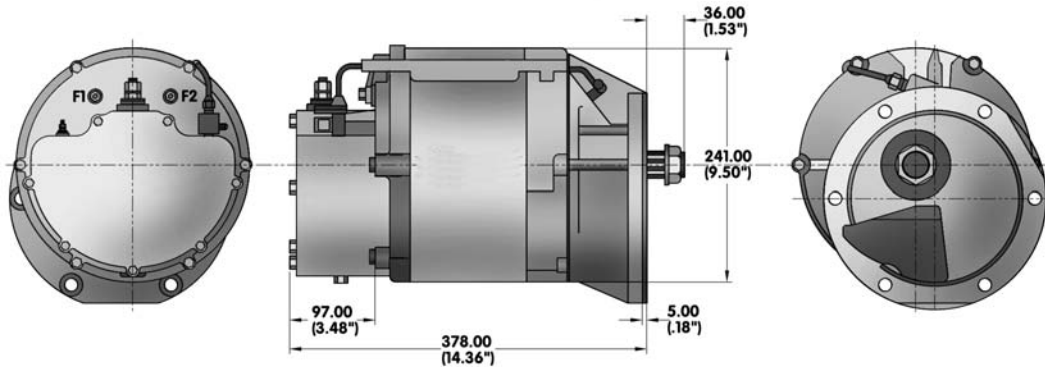
# OUTLINE SPECIFICATIONS



## DELCO 12V

1117661, 665, 667  
 1117670, 677, 678  
 1117681, 682, 684  
 1117690, 691, 699  
 1117701, 710, 793  
 1117854, 857  
 10456496

### Illustration 50-002



101-50107 ▼ 12V, 300A, Gear Drive

101-50212 ▼ 24V, 270A, Gear Drive

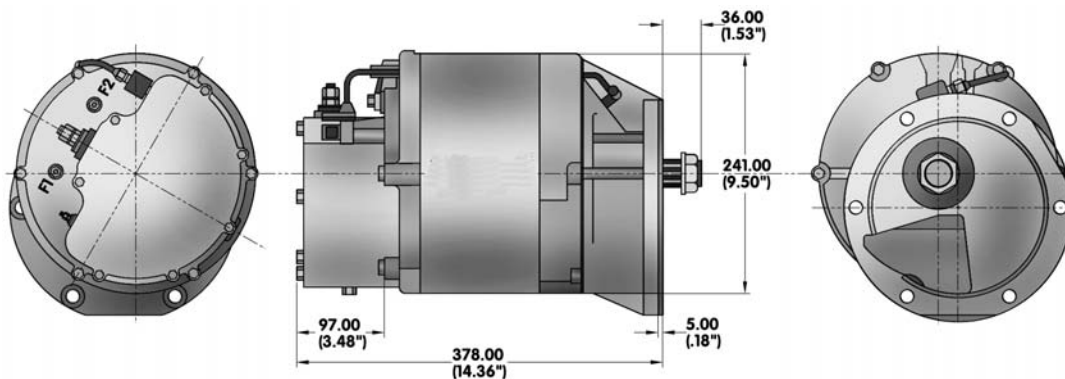
## DELCO 24V

1117740, 748  
 1117749  
 1117790, 791  
 1117851, 856  
 1117859, 861  
 1117705, 795, 797  
 10459034, 9121  
 10459125, 9129

## DELCO 12V

1117704  
 1117855  
 10456497

### Illustration 50-003

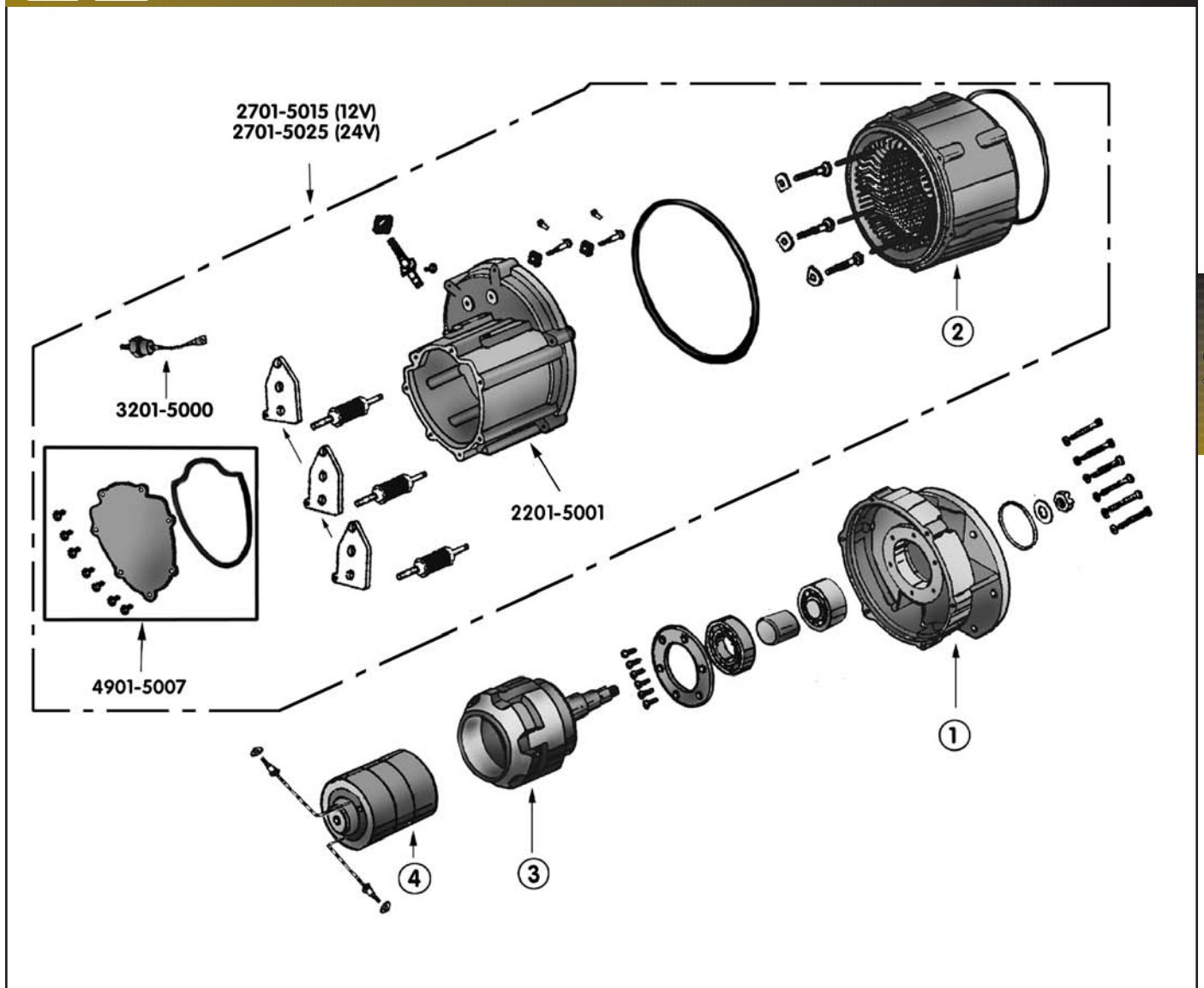


101-50106 ▼ 12V, 300A, Gear Drive

101-50214 ▼ 24V, 270A, Gear Drive

## DELCO 24V

1117689, 692, 695  
 1117700, 792, 850  
 1117858, 862  
 1117702, 703, 706  
 1117792, 794  
 10459032, 9060  
 10459122, 9124  
 10459126, 128  
 10459131



Alternator	Stator, Frame & Coil Assy.	1 DE Housing	2 Stator	3 Rotor	4 Coil	Repair Kits						
						4901-5001	4901-5002	4901-5004	4901-5011	4901-5012	4901-5013	4901-5014
101-50106 ▼	2701-5015 ▼	2101-5003	2701-5011 ▼	2801-5001	2901-5010 ▼	X		X	X	X		X
101-50107 ▼	2701-5015 ▼	2101-5003	2701-5011 ▼	2801-5001	2901-5010 ▼	X		X	X	X		X
101-50212 ▼	2701-5025 ▼	2101-5003	2701-5021 ▼	2801-5001	2901-5020 ▼	X		X	X	X		X
101-50214 ▼	2701-5025 ▼	2101-5003	2701-5021 ▼	2801-5001	2901-5020 ▼		X	X	X	X	X	

▼ For REMAN/REWOUND exchange program add suffix "-1" to part no.. For other programs see "Suffix" on page 2.



### 101-50105 ▼

**Alternator, Belt Drive  
12V, 300A, Neg. Grd.**

*Replaces:*

**Delco Remy**

1117672, 680, 683, 709, 860,  
877, 10456498, 9114, 9299

Refer to Illustration 50-001  
Page No. 4



### 101-50107 ▼

**Alternator, Gear Drive  
12V, 300A, Neg. Grd.**

*Replaces:*

**Delco Remy**

1117661, 665, 667, 670, 677,  
678, 681, 682, 684, 690, 691,  
699

701, 710, 793, 854, 857,  
10456496, 9298

Refer to Illustration 50-002  
Page No. 6



### 101-50213 ▼

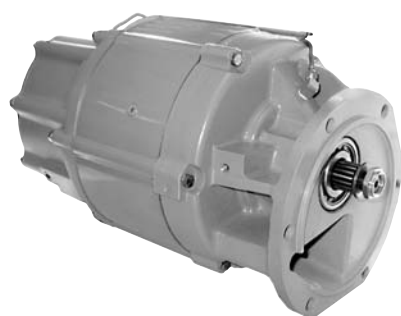
**Alternator, Belt Drive  
24V, 270A, Neg. Grd.**

*Replaces:*

**Delco Remy**

1117693, 707, 708, 739, 799,  
852, 853, 863, 864, 878,  
10459033, 9123, 9127, 9130

Refer to Illustration 50-001  
Page No. 4



### 101-50106 ▼

**Alternator, Gear Drive  
12V, 300A, Neg. Grd.**

*Replaces:*

**Delco Remy**

1117704, 855, 10456497, 9297

Refer to Illustration 50-003  
Page No. 6



### 101-50212 ▼

**Alternator, Gear Drive  
24V, 270A, Neg. Grd.**

*Replaces:*

**Delco Remy**

1117705, 740, 748, 749, 790,  
791, 797, 851, 856, 859,  
861, 10459034, 9121, 9125

Refer to Illustration 50-002  
Page No. 6



### 101-50214 ▼

**Alternator, Gear Drive  
24V, 270A, Neg. Grd.**

*Replaces:*

**Delco Remy**

1117689, 692, 695, 700, 702,  
703, 706, 792, 794, 850, 858,  
862, 867,  
10459032, 9122, 9124, 9126,  
9128, 9131

Refer to Illustration 50-003  
Page No. 6



**2101-5002**  
**Housing, D.E.**  
*Replaces:*  
**Delco Remy:** 1956305, 1988307



**2101-5003**  
**Housing, D.E.**  
*Replaces:*  
**Delco Remy :** 1989461, 462



**2201-5001**  
**Housing**  
*Replaces:*  
**Delco Remy** 1976516



**2701-5010** ▼  
**Stator, 12V, 300A**  
 54 Slots, w/Solid Leads  
 Gear Drive  
*Replaces:*  
**Delco Remy :** 1964000,  
 1969312, 1988304, 10471558



**2701-5011** ▼  
**Stator, 12V, 300A**  
 54 Slots, w/Flex Leads,  
 Gear Drive  
*Replaces:*  
**Delco Remy :** 10457640



**2701-5012** ▼  
**Stator, 12V, 300A**  
 54 Slots, w/Solid Leads,  
 Belt Drive  
*Replaces:*  
**Delco Remy** 1964531,  
 10471646,



**2701-5013** ▼  
**Stator, 12V, 300A**  
 54 Slots, w/Flex Leads,  
 Belt Drive  
*Replaces:*  
**Delco Remy :** 10499307



**2701-5014** ▼  
**Stator, Frame & Coil Assy.**  
**12V, 300A**  
 Belt Drive



**2701-5015** ▼  
**Stator, Frame & Coil Assy.**  
**12V, 300A**  
 Gear Drive



**2701-5020** ▼

**Stator, 24V, 270A**

72 Slots, w/Solid Leads,  
Gear Drive

Replaces:

**Delco Remy** : 1876003,  
1956306, 1987399, 10471607,  
10487571



**2701-5023** ▼

**Stator, 24V, 270A**

72 Slots, w/Flex Leads,  
Belt Drive

Replaces:

**Delco Remy**: 10487568



**2801-5001**

**Rotor,  
Gear Drive**

Replaces:

**Delco Remy**: 1941002,  
10457636



**2701-5021** ▼

**Stator, 24V, 270A**

72 Slots, w/Flex Leads,  
Gear Drive

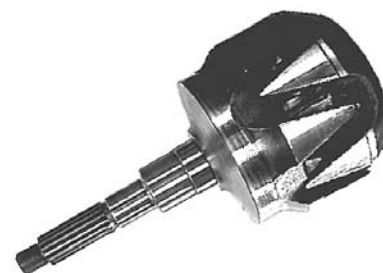


**2701-5024** ▼

**Stator, Frame & Coil Assy.**

**24V, 270A**

Belt Drive



**2801-5002**

**Rotor,  
Belt Drive**

Replaces:

**Delco Remy**: 1956315,  
1958937, 10457637



**2701-5022** ▼

**Stator, 24V, 270A**

72 Slots, w/Solid Leads,  
Belt Drive

Replaces:

**Delco Remy**: 1892576,  
1988306, 10471622



**2701-5025** ▼

**Stator, Frame & Coil Assy.**

**24V, 270A**

Gear Drive



**2901-5010** ▼

**Rotor Coil, 12 Volt**

Replaces:

**Delco Remy**: 1875993,  
1894501, 1941010, 1975943,  
948, 949,  
10457642, 10471627



**2901-5020** ▼

**Rotor Coil, 24 Volt**

*Replaces:*

**Delco Remy:** 1875942,  
1892884, 1975942,  
10457643, 10471614



**3201-5000**

**Diode**

*Replaces:*

**Delco Remy:** 1894867



**3501-5011** ▼

**Regulator-50RD, 12 Volt**

**B Circuit**

*Replaces:*

**Delco Remy:** 9000551



**3501-5012** ▼

**Regulator-50RD, 12 Volt**

**B Circuit**

*Replaces:*

**Delco Remy:** 1118443



**3501-5013**

**Regulator-50VR, 12 Volt**

**A or B Circuit**

*Replaces:*

**Delco Remy:** 10457698



**3501-5021** ▼

**Regulator-50RD, 24 Volt**

**A or B Circuit**

*Replaces:*

**Delco Remy:** 9000597



**3501-5022** ▼

**Regulator-50RD, 24 Volt**

**A Circuit**

*Replaces:*

**Delco Remy:** 1118437, 9000573



**3501-5023** ▼

**Regulator-50RD, 24 Volt**

**B Circuit**

*Replaces:*

**Delco Remy:** 1118447



**3501-5024**

**Regulator-50VR, 24 Volt**

**A or B Circuit**

*Replaces:*

**Delco Remy:** 10457699



### 4901-5001

#### Bearing & Oil Line Repair Kit-Gear Drive

*Replaces:*

**Delco Remy: 1988064**

Consisting of:

<u>Qty.</u>	<u>OEM No.</u>	Description
1	121339	Elbow
1	1987256	Tee
1	1987333	Bracket, Oil Line
1	9440138	Bearing, Roller
1	1987257	Oil Line (for B+ Term. at 12:00 o'clock pos.)
1	10495390	Bearing (10 Balls)



### 4901-5003

#### Bearing & Oil Line Repair Kit-Belt Drive

*Replaces:*

**Delco Remy: 1988063**

Consisting of:

<u>Qty.</u>	<u>OEM No.</u>	Description
1	121339	Elbow
1	1987256	Tee
1	1987333	Bracket, Oil Line
1	1987651	Oil Line
1	9440138	Bearing, Roller
1	10499878	Bearing (13 Balls)



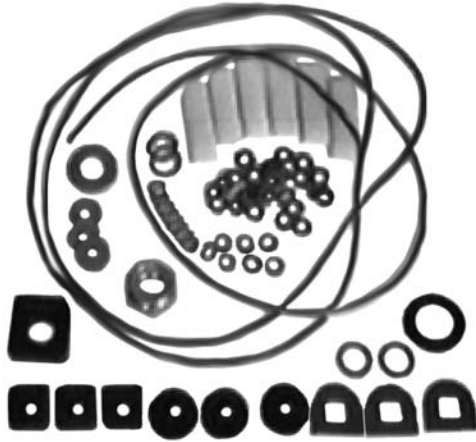
### 4901-5002

#### Bearing & Oil Line Repair Kit-Gear Drive

*Replaces: N/A*

Consisting of:

<u>Qty.</u>	<u>OEM No.</u>	Description
1	121339	Elbow
1	1987256	Tee
1	1987333	Bracket, Oil Line
1	10495099	Oil Line (for B+ Term. at 10:00 o'clock pos.)
1	9440138	Bearing, Roller
1	10495390	Bearing (10 Ball)



### 4901-5004

#### Base Repair Kit - Gear Drive

Replaces:

Delco Remy: 10457794

Consisting of:

<u>Qty.</u>	<u>OEM No.</u>	<u>Description</u>
1	1893813	Insulator Washer, D.C. Terminal
3	1902746	Insulator Washer, Relay/Field Terminal
1	1911116	Washer, Shaft
3	1941039	Insulator Sleeve, 1/4"
9	1941041	"O"-Ring, Relay/Field Terminal
3	1941043	"O"-Ring, D.C. Terminal
3	1941051	Insulator Washer, Stator
1	1941052	"O"-Ring, Bearing Clamp
1	1941055	Insulator Sleeve, 1/2"
2	1941057	"O"-Ring, Stator
3	1952193	Insulator Support, Rectifier
3	1952212	Insulator, Stator Terminal
1	1965246	Insulator, D.C. Terminal
3	1965249	Insulator, Relay/Field Terminal
1	1967037	"O"-Ring, Diode Cover
1	9418942	Nut, Shaft



### 4901-5005

#### Base Repair Kit - Belt Drive

Replaces:

Delco Remy: 10457787

Consisting of:

<u>Qty.</u>	<u>OEM No.</u>	<u>Description</u>
1	1893813	Insulator Washer, D.C. Terminal
3	1902746	Insulator Washer, Relay/Field Terminal
3	1941039	Insulator Sleeve 1/4"
9	1941041	"O"-Ring, Relay/Field Terminal
3	1941043	"O"-Ring, D.C. Terminal
3	1941051	Insulator Washer, Stator
1	1941052	"O"-Ring, Bearing Clamp
1	1941055	Insulator Sleeve, 1/2"
2	1941057	"O"-Ring, Stator
3	1952193	Insulator Support, Rectifier
3	1952212	Insulator, Stator Terminal
1	1956312	Seal, D.E Bearing
1	1956313	Gasket, Bearing Retainer
1	1958286	"O"-Ring, Rotor Shaft
1	1965246	Insulator, D.C. Terminal
3	1965249	Insulator, Relay/Field Terminal
1	1967037	"O"-Ring, Diode Cover
1	1970261	Washer, Shaft
1	1979400	Nut, Shaft



### 4901-5006

#### Hub & Seal Repair Kit - Belt Drive

Replaces:

Delco Remy: 10457239

Consisting of:

Qty.	OEM No.	Description
1	1956310	Retainer
1	1956312	Seal, D.E. Bearing
1	1956313	Gasket, Bearing Retainer
1	1956314	Spacer, D.E.
1	800593	"O" Ring, Rotor Shaft



### 4901-5007

#### Diode Cover Kit

Replaces: 10457148

Consisting of:

Qty.	OEM No.	Description
7	10415784	Screw
1	N/A	Cover
1	1967037	Seal



### 4901-5008

#### Repair Kit - Belt Drive

Replaces:

Delco Remy: 10457788

Consisting of:

Qty.	OEM No.	Description
1	10457787	Base Repair Kit
1	9440138	Bearing, Roller
1	10499878	Bearing (13 Balls)



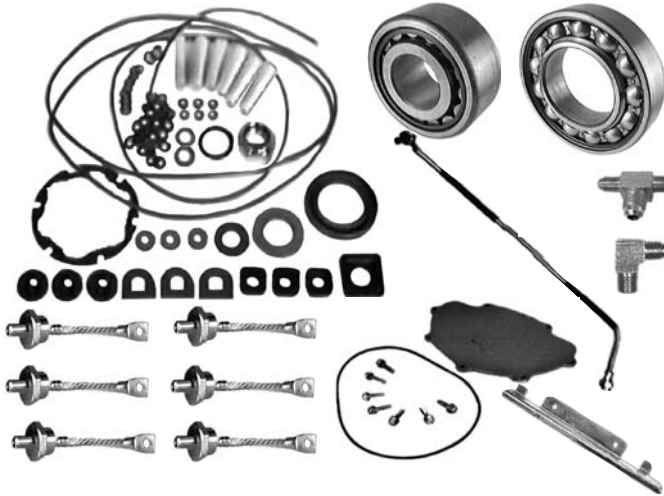
### 4901-5009

#### Repair Kit - Belt Drive

Replaces: Delco Remy: 10457789

Consisting of:

Qty.	OEM No.	Description
1	10457787	Base Repair Kit
6	1894867	Diode
1	9440138	Bearing, Roller
1	10499878	Bearing (13 Balls)



### 4901-5010

#### Repair Kit - Belt Drive

Replaces: Delco Remy: 10457790

Consisting of:

Qty.	OEM No.	Description
1	10457787	Base Repair Kit
1	121339	Elbow
6	1894867	Diode
1	1987256	Tee
1	1987333	Bracket, Oil Line
1	1987651	Oil Line
1	9440138	Bearing, Roller
1	10457148	Cover & Seal Kit, Rectifier
1	10499878	Bearing (13 Balls)



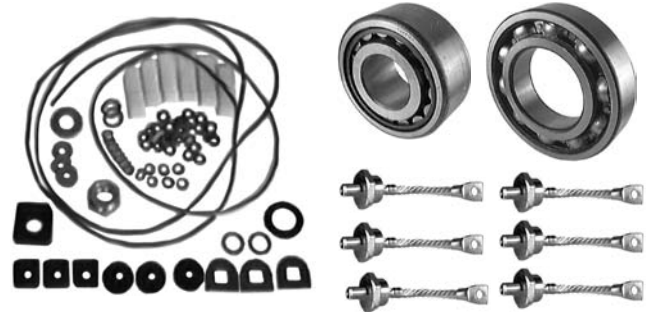
### 4901-5011

#### Repair Kit - Gear Drive

Replaces: Delco Remy: 10457793

Consisting of:

Qty.	OEM No.	Description
1	10457794	Base Repair Kit
1	9440138	Bearing, Roller
1	10495390	Bearing (10 Balls)



### 4901-5012

#### Repair Kit - Gear Drive

Replaces: Delco Remy: 10457792

Consisting of:

Qty.	OEM No.	Description
1	10457794	Base Repair Kit
6	1894867	Diode
1	9440138	Bearing, Roller
1	10495390	Bearing (10 Balls)



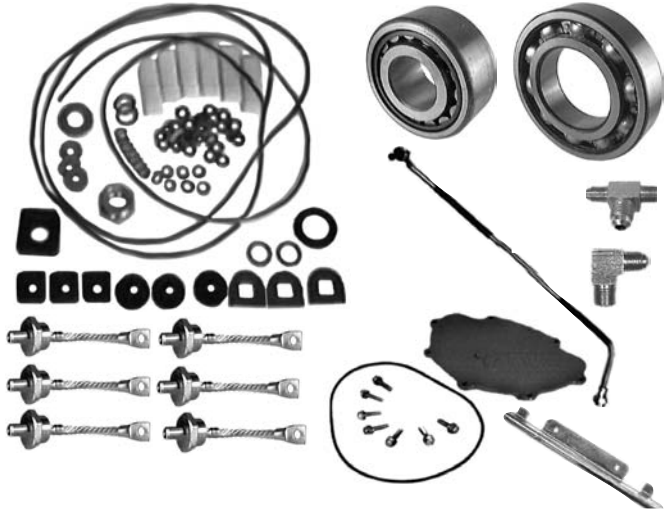
### 4901-5013

#### Repair Kit - Gear Drive

Replaces: Delco Remy: 10457795

Consisting of:

Qty.	OEM No.	Description
1	10457794	Base Repair Kit
1	121339	Elbow
6	1894867	Diode
1	1987256	Tee
1	1987333	Bracket, Oil Line
1	9440138	Bearing, Roller
1	10457148	Cover & Seal Kit, Rectifier
1	10495099	Oil Line (for B+ Term. at 10:00 o'clock pos.)
1	10495390	Bearing (10 Balls)



## 4901-5014

### Repair Kit - Gear Drive

Replaces: Delco Remy: 10457791

Consisting of:

<u>Qty.</u>	<u>OEM No.</u>	<u>Description</u>
1	10457794	Base Repair Kit
1	121339	Elbow
6	1894867	Diode
1	1987256	Tee
1	1987257	Oil Line (for B+ Term. at 12:00 o'clock pos.)
1	1987333	Bracket, Oil Line
1	9440138	Bearing, Roller
1	10457148	Cover & Seal Kit, Rectifier
1	10495390	Bearing (10 Balls)

3



Distributed by:



**Dixie Electric Ltd.**

517 Basaltic Road, Concord, Ontario  
Canada L4K 4W8

Tel.: (905) 879-0533 U.S. 800-563-3933

Fax: (905) 879-0532

E-Mail: [sales@dixie-electric.com](mailto:sales@dixie-electric.com)

Web Site: [www.dixie-electric.com](http://www.dixie-electric.com)

**Dixie Electric Inc.**

17100 Medina Road, Suite 100 Minneapolis, MN.  
U.S.A. 55447-1249

Tel.: (763) 475-6629 800-478-0608

Fax: (763) 475-6635 800-392-8719

E-Mail: [mn.sales@dixie-electric.com](mailto:mn.sales@dixie-electric.com)

Web Site: [www.dixie-electric.com](http://www.dixie-electric.com)