

NEW REPLACEMENT SMALL STARTER MOTORS

for Air Cooled Engines
and
Outboard Marine Engines

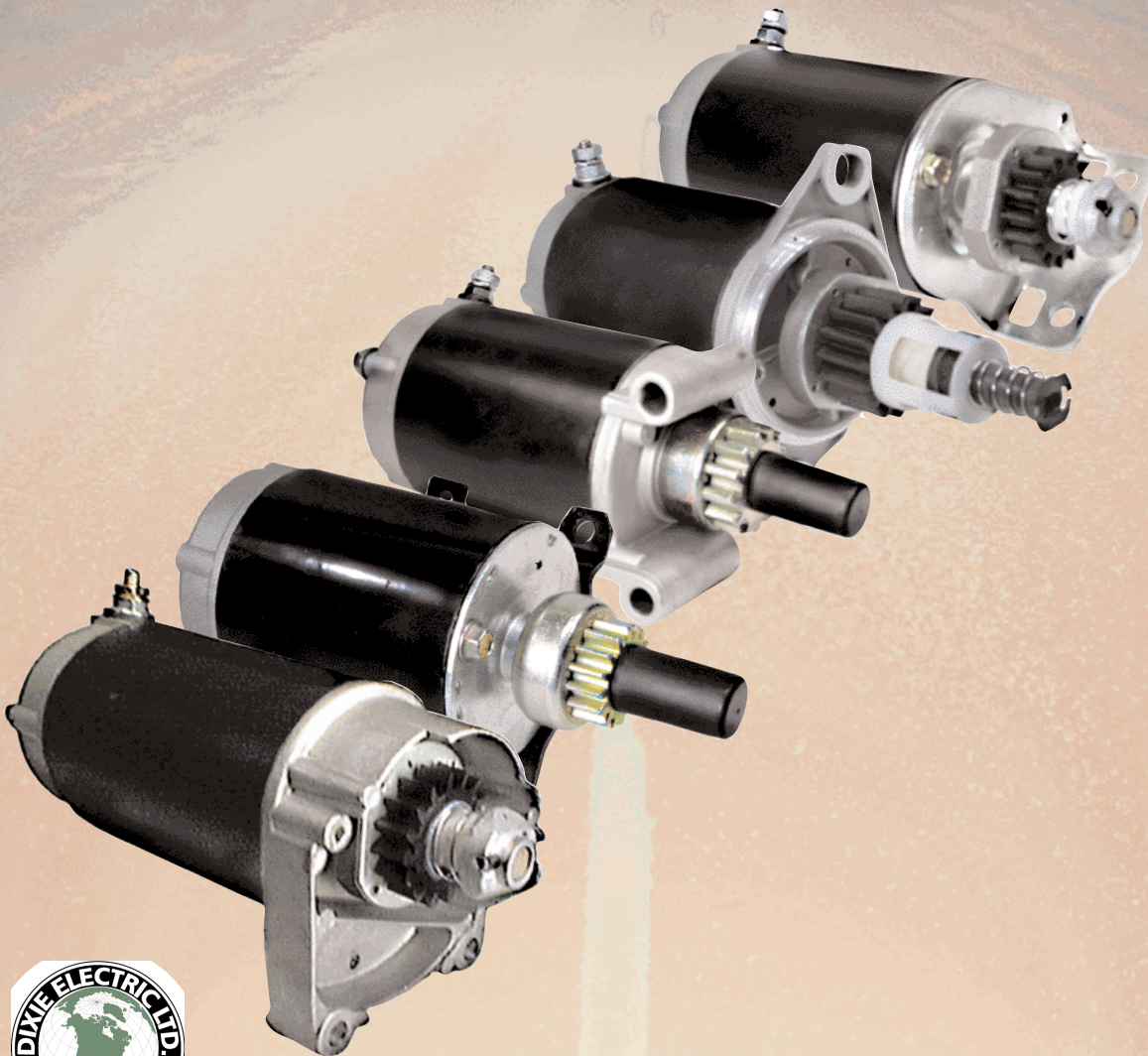


TABLE OF CONTENTS



CROSS REFERENCE Page: 1

BUYER'S GUIDE

Briggs & Stratton	Page: 2 to 3
Chrysler	Page: 3
Cushman	Page: 3
Kohler	Page: 4 to 6
Mercury	Page: 7 to 9
OMC	Page: 9
Onan	Page: 10
Tecumseh	Page: 11

PART NUMBER INDEX

Dixie Number	Page Number	Dixie Number	Page Number	Dixie Number	Page Number
206-03101	4	206-04105	4	206-07110	5
206-03102	10	206-04106	3	206-07111	6
206-03103	10	206-04107	3	206-07112	11
206-03104	2	206-04108	3	206-07113	6
206-03105	7	206-04109	4	206-07114	10
206-03106	7	206-06101	8	206-07115	11
206-03107	7	206-07101	5	246-06101	6
206-03108	2	206-07102	2		
206-03109	2	206-07103	3		
206-03110	4	206-07104	8		
206-03111	11	206-07105	9		
206-04101	7	206-07106	5		
206-04102	8	206-07107	9		
206-04103	8	206-07108	9		
206-04104	10	206-07109	5		

ABBREVIATIONS

CCW	Counter Clockwise	No.	Number
Cyl.	Cylinder	RV	Recreational Vehicle
HP	Horsepower	V	Volt
kW	Kilo Watt		

The information contained herein is based on data which we believe to be correct and has been obtained from sources which we regard reliable, but we assume no liability for errors or omissions therein. Permission to reproduce entirely and/or in part is denied.



CROSS REFERENCE

Original No.	Dixie No.	Original No.	Dixie No.	Original No.	Dixie No.	Original No.	Dixie No.
BRIGGS & STRATTON		JOHN DEERE		MERCURY MARINE		UNITED TECHNOLOGIES	
391423	206-07103	AM38013	206-03110	50-822462	206-03105	0196540MO30SM	206-07103
392749	206-07103	AM37869	206-07101	50-822462-1	206-03105	0255640MO30SM	206-07107
394805	206-07103	AM37725	206-04109	50-830308	206-07104	0599440MO30SM	206-07101
394808	206-07102	AM34631	206-07110	50-830308-1	206-07104	0599540MO30SM	206-07106
396306	206-03109	AM34361	206-07110	50-834749	206-03107	0599640MO30SM	206-07110
399169	206-03104	AM34248	206-07101	50-852570	206-07105	1079540MO30SM	206-03102
399928	206-03108	AM131296	246-06101	50-853869	206-04101	1146340MO30SM	206-07101
494990	206-03104	AM119837	206-07101	50-854636	206-03106	1250740MO30SM	206-07101
495100	206-03108	AM108390	246-06101	50-857060	206-07104	1574540MO30SM	206-04109
497401	206-07103			50-857061	206-03106	1635340MO30SM	206-07101
497595	206-07103	KOHLER		50-857062	206-03107	1819040MO30SM	206-03101
497596	206-07102			50-857063	206-04102	1819140MO30SM	206-03110
498148	206-07102	12-098-03	246-06101	50-857063	206-04102	2020040MO30SM	206-04108
		12-098-04	206-07113	50-857064	206-04101	2134940MO30SM	206-04105
CASE		12-098-06	206-07111	50-857065	206-07105	4372740MO30SM	206-07110
77115C91	206-03102	12-098-08	206-07113	50-857068	206-06101	4411940MO30SM	206-04106
N9552	206-03102	12-098-09	206-07111			4412040MO30SM	206-04107
		12-098-12	206-07111	OMC		4733040MO30SM	206-07109
CHRYSLER MARINE		12-098-13	206-07113	277432	206-07107	5213240MO30SM	206-04105
2019559955	206-04106	12-098-20	206-07109	278024	206-07107	5225040MO30SM	206-07113
480955	206-04107	24-098-01	246-06101	278232	206-07107	5239740MO30SM	206-07111
575955	206-04106	41-098-01	206-07110	378674	206-07107	5274040MO30SM	206-04103
616955	206-04107	41-098-03	206-07110	378674	206-07107	5278340MO30SM	206-07113
616955-1	206-04107	41-098-04	206-07109	379091	206-07107	5278440MO30SM	206-07111
		41-098-06	206-07109	379818	206-07107	5665740MO30SM	206-07106
		41-098-08	206-07110	380238	206-07107	5665940MO30SM	206-04109
CUSHMAN		45-098-01	206-07101	380239	206-07107	5666140MO30SM	206-07101
884982	206-04108	45-098-03	206-07101	381865	206-07107	5666240MO30SM	206-03101
		45-098-04	206-04109	385401	206-07107	5666340MO30SM	206-03110
		45-098-05	206-07101	386591	206-07107	5666440MO30SM	206-04105
		45-098-07	206-07101	386597	206-07107	5666540MO30SM	206-07110
		45-098-09	206-07101	392133	206-07107	5666640MO30SM	206-07109
		45-098-10	206-07106	585061	206-07107	5666940MO30SM	206-07113
DIXIE REMAN		48-098-02	206-04109	586178	206-07107	5667040MO30SM	206-07111
MS-632	206-07101	48-098-04	206-04109			5667640MO30SM	206-04101
MS-645	206-03102	51-098-01	206-07101	ONAN		5672740MO30SM	206-06101
MS-646	206-07107	52-098-03	206-03101	191-0933	206-03102	5675640MO30SM	206-03105
MS-649	206-07106	52-098-04	206-03110	191-2132	206-03103	5676940MO30SM	206-04102
MS-655	206-04109	52-098-06	206-04105	191-2132	206-03103	5705140MO30SM	206-07107
MS-657	206-04106	52-098-07	206-07110	191-1630	206-04104	5710440MO30SM	206-04108
MS-658	206-04107	52-098-10	206-04105	191-1667	206-04104	5717340MO30SM	206-07112
MS-664	206-07108	52-098-11	206-03110	191-1667	206-04104	6013840MO30SM	206-04104
MS-665	206-04108	52-098-12	206-03101	191-0687	206-07107	6019440MO30SM	206-04104
MS-667	206-07103	52-098-13	206-04105	191-1798	206-07114	6020940MO30SM	206-07114
MS-667L	206-03104	A236292	206-07106			6091740MO30SM	206-03103
MS-670	206-03101	A236396	206-07101	TECUMSEH		6743040MO30SM	206-03106
MS-671	206-03110	A237131	206-07101	32817	206-03111	6743240MO30SM	206-03107
MS-677	206-07102	A237132	206-07106	33202	206-07115	6767540MO30SM	206-07104
MS-679	206-03111	A237510	206-07101	33605	206-07115	6873740MO30SM	206-07105
MS-680	206-03109	A237511	206-07106	33835	206-03111	SME12A11	206-07101
MS-684	206-04104	A237534	206-07101	35763	206-07115	SME12A12	206-07110
MS-687	206-03103	A277599	206-04109	35763A	206-07115	SME12A13	206-07106
MS-693	206-06101			36463	206-07112	SMH12A1	206-07110
MS-695	206-04102	MERCURY MARINE		36463	206-07112	SMH12A2	206-07101
MS-696	206-07109	50-818445-5	206-06101	36680	206-07112	SMH12A201	206-07101
S-8538	246-06101	50-819271	206-04103			SMH12A3	206-07106
S-8539	246-06101	50-819968	206-04101			SMH12A4	206-07101
		50-819968-1	206-04101			SMH12A5	206-07106
DENSO		50-819968-2	206-04101			SMH12A6	206-07110
128000-7480	246-06101	50-819968-4	206-04101			SMH12B81	206-03102
228000-2640	246-06101	50-820193	206-04102			SMH12C1	206-04109
228000-7990	246-06101	50-820193-1	206-04102				



206-03104

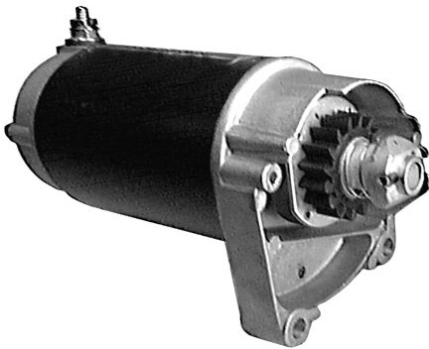
Starter Motor, 12V, CCW, 16 Teeth

Replaces

Briggs & Stratton: 399169, 494990

Application

Briggs & Stratton: Single Cyl. 12-16 HP Engines



206-03108

Starter Motor, 12V, CCW, 16 Teeth

Replaces

Briggs & Stratton: 399928, 495100, 498148

Application

Briggs & Stratton: Twin (2) Cyl. 18 HP Engines



206-03109

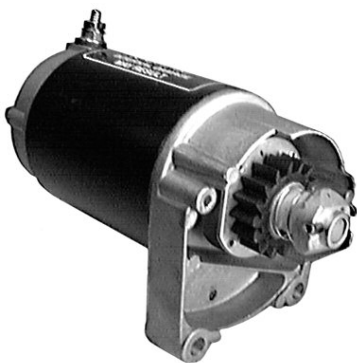
Starter Motor, 12V, CCW, 16 Teeth

Replaces

Briggs & Stratton: 396306

Application

Briggs & Stratton: 10 HP Horizontal Engines



206-07102

Starter Motor, 12V, CCW, 16 Teeth

Replaces

Briggs & Stratton: 393017, 394808, 497596

Application

Briggs & Stratton: Twin (2) Cyl. 14 & 16 HP Engines



206-07103

Starter Motor, 12V, CCW, 16 Teeth

Replaces

Briggs & Stratton: 391423, 392749, 394805, 491766, 497595

United Technologies: SM01965

Application

Briggs & Stratton: Single Cyl. 5, 6, 8, 10 & 11 HP Engines



206-04106

Starter Motor, 12V, CCW, 11 Teeth

Replaces

United Technologies: SM44119

Mercury: 50-575955

Chrysler: 201955-9955

US Marine: 57-5955

Application

Chrysler: 35-55 HP Engines



206-04107

Starter Motor, 12V, CCW, 9 Teeth

Replaces

United Technologies: SM44120,

Mercury: 50-616955-1

Chrysler: 480955

US Marine: 61-6955

Application

Chrysler: 70-150 HP Engines



206-04108

Starter Motor, 12V, CCW, 13 Teeth

Replaces

United Technologies: SM57104

Cushman: 884982

Application

Cushman: Air Cooled Engines

206-03101 Starter Motor, 12V, CCW, 9 Teeth



Replaces

Kohler: 52-098-03, 52-098-09, 52-098-12

United Technologies: SM18190, SM52131, SM56662

Application

Kohler: KT17, KT19, MV16, MV17, MV18, 16-19 HP Engines

206-03110 Starter Motor, 12V, CCW, 9 Teeth



Replaces

United Technologies: SM18191, SM56663

Kohler: 52-098-04, 52-098-11

Application

Kohler: KT17, KT18, M18, 17-18 HP Engines

206-04105 Starter Motor, 12V, CCW, 9 Teeth



Replaces

United Technologies: SM21349, SM52132, SM56664

Kohler: 52-098-06, 52-098-10, 52-098-13

Application

Kohler: KT19, KT21, MV20, M18, M20, 17-20 HP Engines

206-04109 Starter Motor, 12V, CCW, 9 Teeth



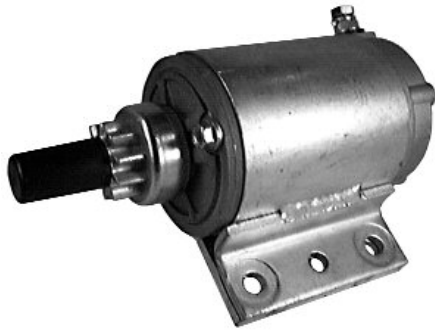
Replaces

United Technologies: SM15745, SM56659, SMH12C1

Kohler: 48-098-02, 48-098-04

Application

Kohler: K482, K532, K582, 18-23 HP Engines



206-07101

Starter Motor, 12V, CCW, 10 Teeth

Replaces

John Deere: AM34248, AM37869, AM119837

Kohler: A237534, 45-098-01, 45-098-07, 45-098-09, 51-098-01

United Technologies: SM05994, SM16353, SM56661

Application

Kohler: High Mount K241, 301, 321, 341, 10-16 HP Engines



206-07106

Starter Motor, 12V, CCW, 10 Teeth

Replaces

United Technologies: SM05995, SM56657

Kohler: A237511, 45-098-10

Application

Kohler: Low Mount 10, 12 & 14 HP Engines
K241, 301, 321, 341, 10-16 HP Engines



206-07109

Starter Motor, 12V, CCW, 10 Teeth

Replaces

United Technologies: SM47330, SM56666, SM69967

Kohler: 41-098-04, 41-098-06

Application

Kohler: M8, M16, 8-16 HP Engines



206-07110

Starter Motor, 12V, CCW, 16 Teeth

Replaces

John Deere: AM34361, AM34631

Kohler: 41-098-01, 41-098-03, 41-09808, 52-09807

United Technologies: SM05996, SM43727, SM56665,
SME12A12, SMH12A1, SMH12A6

Application

Kohler: K161, K181, 7-8 HP Engines



With Back Battery Post

206-07111 Starter Motor, 12V, CCW, 13 Teeth

Replaces

United Technologies: SM52397, SM52784, SM56670

Kohler: 12-098-06, 12-098-09, 12-098-12

Application

Kohler: CH11-15, CV11-15, 11-15 HP Engines



With Side Battery Post

206-07113 Starter Motor, 12V, CCW, 13 Teeth

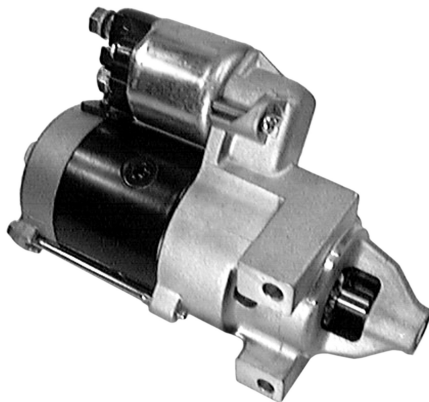
Replaces

United Technologies: SM52250, SM52783, SM56669

Kohler: 12-098-04, 12-098-08, 12-098-13

Application

Kohler: CH11-15, CV11-15, 11-15 HP Engines



246-06101 Starter Motor, 12V, 0.6kW, CCW, 9 Teeth

Replaces

Denso: 128000-7480, 228000-2640, 228000-7990

John Deere: AM108390, AM131296

Kohler: 12-098-03, 24-098-01

Application

Kohler: CH12.5, 14, 18, 20, 22, CV12.5, 14 HP Engines



206-03105

Starter Motor, 12V, CCW, 10 Teeth

Replaces

United Technologies: SM56756

Mercury: 50-822462-1

Application

Mercury: 30-40 HP, 688 Engines



206-03106

**Starter Motor, 12V, CCW, 9 Teeth
orc (10/12 Pitch)**

Replaces

United Technologies: SM67430

Mercury: 50-854636

Application

Mercury: 30-40 HP, 4 Stroke, 688 Engines



206-03107

**Starter Motor, 12V, CCW, 9 Teeth
orc (2.5 module)**

Replaces

United Technologies: SM67432

Mercury: 50-834749

Application

Mercury: 50 HP, 4 Stroke Engines



206-04101

Starter Motor, 12V, CCW, 9 Teeth

Replaces

United Technologies: SM56676, SM67132

Mercury: 50-819968-1,-2,-3,-4, 50-853869

Application

Mercury: Force 70-120 HP, Sport Jet 70-120 HP



206-04102
Starter Motor, 12V, CCW, 13 Teeth

Replaces
United Technologies: SM56769
Mercury: 50-820193,-1

Application
Mercury: Force 40-50 HP



206-04103
Starter Motor, 12V, CCW, 13 Teeth

Replaces
United Technologies: SM52740
Mercury: 50-819271

Application
Mercury: Force 40-50 HP



206-06101
Starter Motor, 12V, CCW, 8 Teeth

Replaces
United Technologies: SM56727
Mercury: 50-818445-5

Application
Mercury: 200-250 HP, 891-D Engines



206-07104
Starter Motor, 12V, CCW, 9 Teeth-orc

Replaces
United Technologies: SM67675
Mercury: 50-830308

Application
Mercury: 25 HP, 4Stroke Engines



206-07105
Starter Motor, 12V, CCW, 9 Teeth

Replaces
United Technologies: SM68737
Mercury: 50-852570, 50-857065

Application
Mercury: 15 HP, 4 Stroke Engines



206-07108
Starter Motor, 12V, CCW, 10 Teeth

Replaces
United Technologies: SM11495
Mercury: 50-514955

Application
Mercury: 20 HP Engines



206-07107
Starter Motor, 12V, CCW, 11 Teeth

Replaces
United Technologies: SM02556, SM57051
OMC: 386591, 392133, 585061

Application
OMC: 25-35 HP Engines



206-03102
Starter Motor, 12V, CCW, 10 Teeth

Replaces
United Technologies: SM10795, SMH12B81
Onan: 191-0933
Case: N9552, 77115C91

Application
Onan: B43M, B48M Engines



206-03103
Starter Motor, 12V, CCW, 16 Teeth

Replaces
United Technologies: SM60917
Onan: 191-2132

Application
Onan: RV/Commercial & Marine Engines



206-04104
Starter Motor, 12V, CCW, 16 Teeth

Replaces
United Technologies: SM60138, SM60194
Onan: 191-1630, 191-1667

Application
RV/Commercial, Onan: BGD, BGDL, NHD, NHDL, NHE, NHEL, MHM Engines
Marine Onan: MCE Engines



206-07114
Starter Motor, 12V, CCW, 16 Teeth

Replaces
United Technologies: SM60209
Onan: 191-1798

Application
Onan: KV Engines



206-03111

Starter Motor, 12V, CCW, 11 Teeth

Replaces

Tecumseh: 32817, 33835

Application

Tecumseh: HH100-120 and OH120-180 Engines.



206-07112

Starter Motor, 12V, CCW, 16 Teeth

Replaces

Tecumseh: 36463, 36680

United Technologies: SM57173

Application

Tecumseh: TVM/TVXL 170-220, OVM/OVXL 120 and HM70-100 Engines



206-07115

Starter Motor, 12V, CCW, 16 Teeth

Replaces

Tecumseh: 32468,A,B, 33605, 33606, 35763,A, 35765,A,

Application

Tecumseh: TVM 125-140 and H50-70 Engines



Distributed by

Dixie Electric Ltd.
517 Basaltic Road, Concord,
Ontario, Canada L4K 4W8

Tel.: (905) 879-0533 U.S. 800-563-3933
Fax: (905) 879-0532
E-Mail: sales@dixie-electric.com
Web Site: www.dixie-electric.com

Dixie Electric Inc.
17100 Medina Road, Suite 100
Minneapolis, MN. U.S.A. 55447-1249

Tel.: (763) 475-6629 800-478-0608
Fax: (763) 475-6635 800-392-8719
E-Mail: mn.sales@dixie-electric.com
Web Site: www.dixie-electric.com

